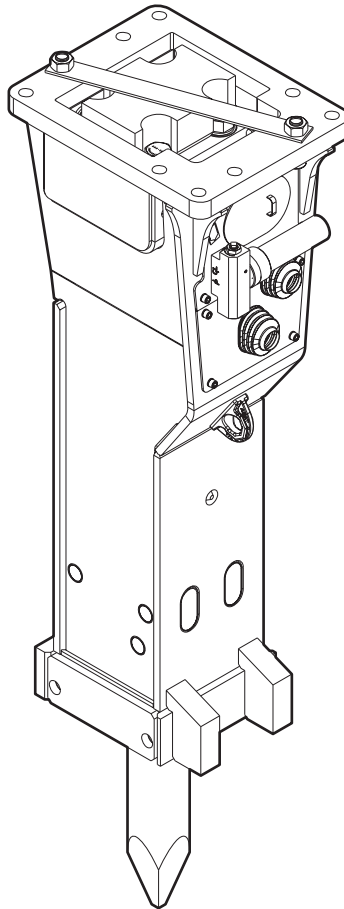


MB 1650, 1650 DP

Spare parts list Hydraulic breakers

MB 1650 s/n DEQ210019 -
MB 1650 DP s/n DEQ210019 -



General information

This spare parts list applies to the following:

Part number	Description
3363118174	Hydraulic breaker HB 1650
3363118370	Hydraulic breaker HB 1650 DP
3363124771	Hydraulic breaker HB 1650 with HATCON
3363124772	Hydraulic breaker HB 1650 DP with HATCON

Use only authorized parts. Any damage or malfunction caused by the use of unauthorized parts is not covered by Warranty or Product Liability. Any unauthorized use or copying of the contents or any part thereof is prohibited. This applies in particular to trademarks, model denominations, part numbers, and drawings.

Instructions for use

This spare parts list contains no safety regulations and is merely intended to assist in the ordering of spare parts.

For information about operating, servicing, or repairing, the relevant Safety and operating instructions must be consulted at all costs.

Please observe the safety instructions listed in the relevant Safety and operating instructions!

Instructions for ordering

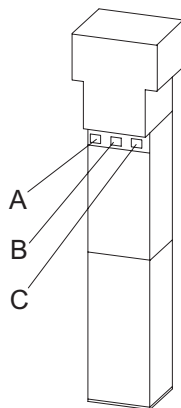
It is essential to indicate the serial number of the hydraulic attachment when ordering spare parts!

Please note the full identification number of your hydraulic attachment.

The code can be found on the cylinder.

Determine the quantity of individual parts which are required and need to be ordered. The order must indicate the following details:

- full identification code of the hydraulic attachment
- required quantity
- part number
- description



- A. Cylinder number
- B. Type
- C. Serial number

Service, repair and wear part kits

Label kit	1
Kit list	3

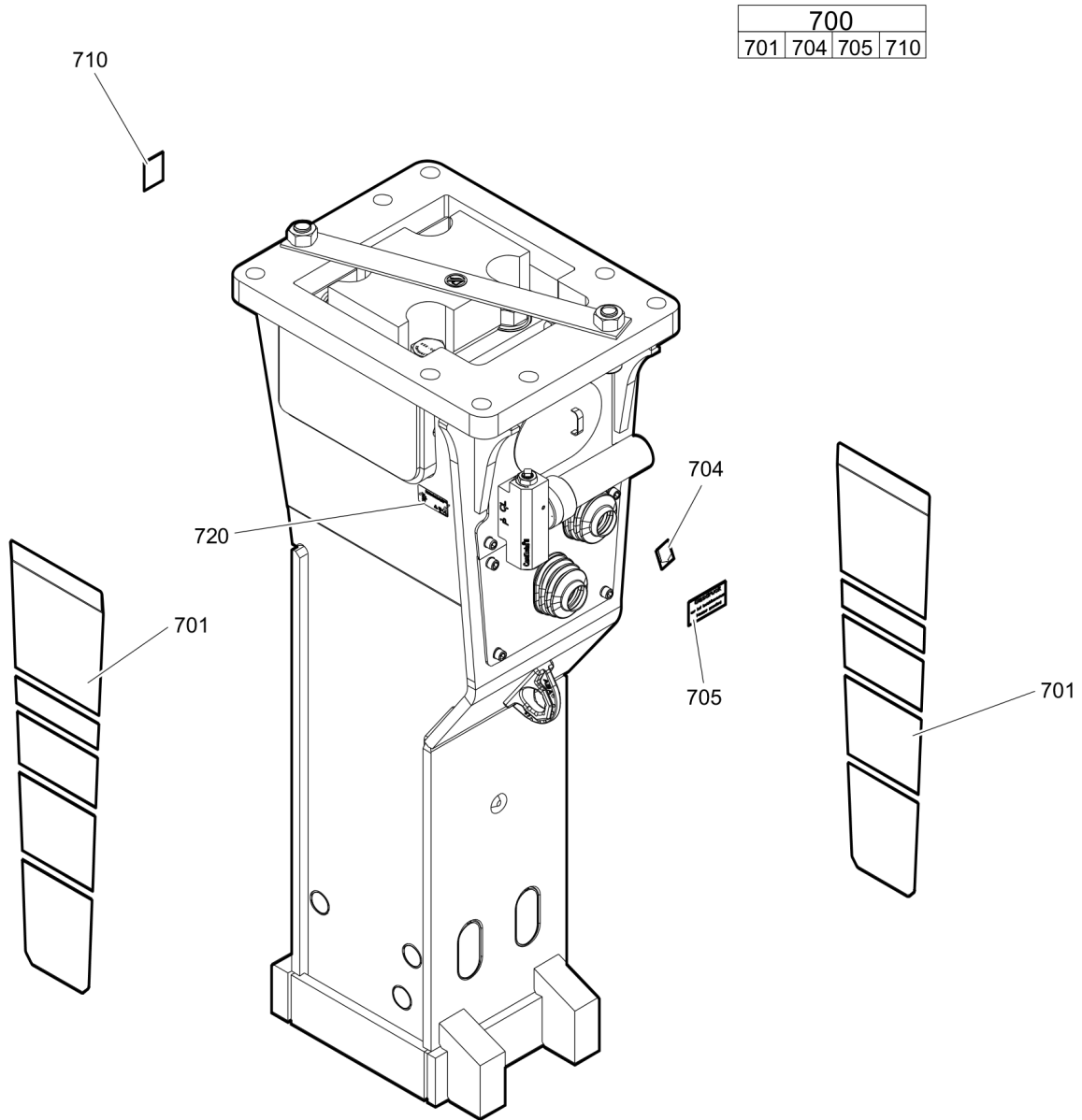
Mechanical

Hydraulic breaker MB 1650	6
Hydraulic breaker MB 1650 DP	9
Percussion unit part 1: cylinder cover	12
Percussion unit part 2: cylinder	15
Percussion unit part 3: lower breaker part	17
Connecting kit for automatic lubrication system	19
HATCON	21
StartSelect - AutoStart or AutoStop	23
Optional parts	25
Tightening torques	27
Dimensions MB 1650	30
Dimensions MB 1650 DP	32

Options / accessories

Hydraulic hoses	34
Optional equipment	37
Working tools ClassicLine MB 1650	39
Working tools ProLine MB 1650	41
Working tools ClassicLine MB 1650 DP	43
Working tools ProLine MB 1650 DP	45

Service, repair and wear part kits Label kit



Item	Part No.	Name	Qty	L
700(701-710)	3363120477	Label kit	1	
701		Label "HB 1650 Epiroc"	2	
704		Label - Lubricating symbol	1	
705		Label - Gas pressure	2	
710		Sound power label	1	
720		Name plate - Consult the authorized Customer Center/Dealer in your area.	1	

Service, repair and wear part kits Kit list

**NO EXPLODED VIEW
AVAILABLE
FOR THIS BOM**

Item	Part No.	Name	Qty	L
KIT	3363122574	Seal kit	1	
104	3363120383	Seal	1	
107	3363120423	Seal	1	
114(115-116)	3363120456	Seal kit	2	
115		Seal	1	
116		Back-up ring	1	
182	3360478426	Threaded plug	1	
183	3360175125	O-ring	1	
304	3360314661	O-ring, 72 x 3.53 mm, 2.84 x 0.14 in. (90 shore)	2	
314	3363122641	Seal	2	
316	3363120394	Wiper	1	
319	3360478171	O-ring	1	
602	3363083245	O-ring	1	
KIT	3363091732	Seal kit for swivel joint for automatic lubrication system	1	
KIT	3363120472	Plastic parts kit	1	
2	3363118181	Elastic pad	1	
3	3361847637	Shock absorber	2	
4	3363118296	Guide plate	2	
5	3363115969	Guide plate	1	
6	3363118182	Guide plate	2	
KIT	3363120474	Tensioning bolt kit	1	A
191		Tensioning bolt	2	
192	3363097773	Washer	2	
487	3363031774	Threaded insert	2	
KIT	3363120473	DustProtector kit	1	
11	3363070661	Floating ring (tribolid)	1	
12	3363035775	Counter ring	1	
13	3363035777	Guide ring	1	
14	3363069769	Bolt	2	
15	3361854363	Locking bush	2	
KIT	3363120475	Noise protection kit	1	
31	3363086011	Plug	2	
32	3363086015	Plug	10	
33	3362267893	Plug	1	
36	3363092697	Cover	1	
37	3363118186	Bellows	2	
KIT	3363121080	Lower breaker part kit (steel)	1	

Refer to the DocMine web page for most up-to-date information. The printed information might be outdated.

Wed Jan 06 14:03:32 UTC 2021

Item	Part No.	Name	Qty	L
401	3363120375	Retainer bar	2	
402	3363120384	Bolt	2	
403	3362262925	Plug	4	
482	3363069077	Impact ring	1	
483	3363069193	Wear bush	1	
484	3363088667	Wear bush (steel)	1	
485	3363120384	Bolt	2	
486	3361854363	Locking bush	4	
-	3315038100	Bio chisel paste cartridge, 12 x 400 g (0.88 lbs)	1	
-	3363067413	Test gauge lower wear bush	1	
KIT	3363120476	Lower breaker part kit (steel) for DustProtector version	1	
18	3363088659	Base for wiper	1	
19	3363066069	Wiper	1	
401	3363120375	Retainer bar	2	
402	3363120384	Bolt	2	
403	3362262925	Plug	4	
482	3363069077	Impact ring	1	
483	3363069193	Wear bush	1	
484	3363088667	Wear bush (steel)	1	
485	3363120384	Bolt	2	
486	3361854363	Locking bush	4	
-	3315038100	Bio chisel paste cartridge, 12 x 400 g (0.88 lbs)	1	
-	3363067413	Test gauge lower wear bush	1	

Comments for Page: Kit list

A | You need Anti-Seize agent when fitting tensioning bolts. You have to order it separately.

Anti-seize 120 g, part number 3363094300

Or buy it locally according to the following specification:

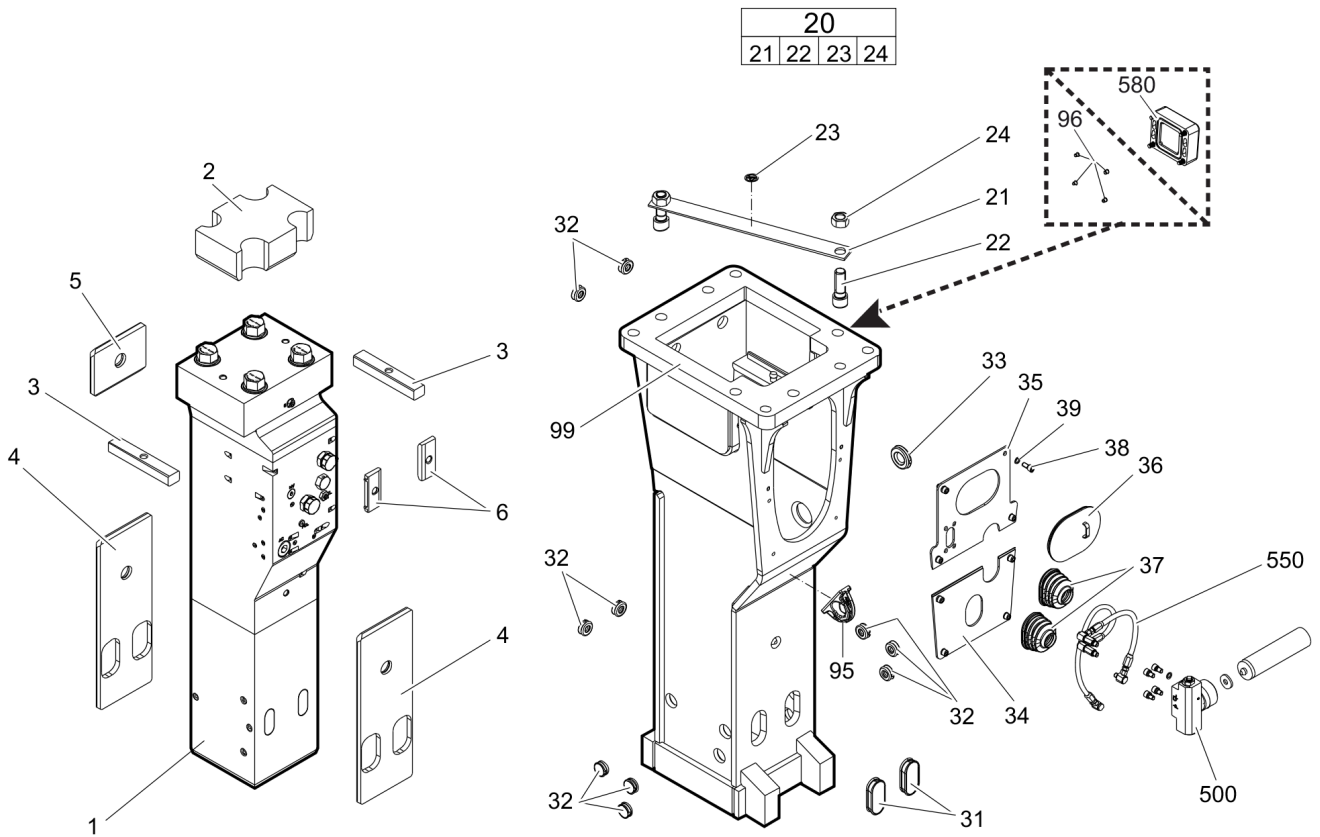
coefficient of friction 0.14 μ

coefficient of friction thread 0.13 μ

coefficient of friction on upside down 0.15 μ

This page intentionally left blank

Mechanical Hydraulic breaker MB 1650



Item	Part No.	Name	Qty	L
1		Percussion unit	1	A
2	3363118181	Elastic pad	1	
3	3361847637	Shock absorber	2	
4	3363118296	Guide plate	2	
5	3363115969	Guide plate	1	
6	3363118182	Guide plate	2	
20(21-24)	3363083416	Transport safety device complete	1	
21		Transport safety device	1	
22	3360026883	Allen screw	2	
23	3363091872	Label transport safety device	1	
24	3360103254	Nut	2	
31	3363086011	Plug	2	
32	3363086015	Plug	10	
33	3362267893	Plug	1	
34	3363118184	Plate	1	
35	3363118308	Plate	1	
36	3363092697	Cover	1	
37	3363118186	Bellows	2	
38	3360103750	Allen screw	8	
39	3361850596	Pair of lock washers	8	
95	3363111994	Lifting eye	1	B
96	3315439145	Protective plug HATCON	4	C
99	3363118175	Breaker box	1	D
500	3363067123	Automatic lubrication system	1	E
550		Connecting kit for automatic lubrication system	1	A
580		HATCON	1	F

Comments for Page: Hydraulic breaker MB 1650

A | see separate chapter

B | professional welding process necessary

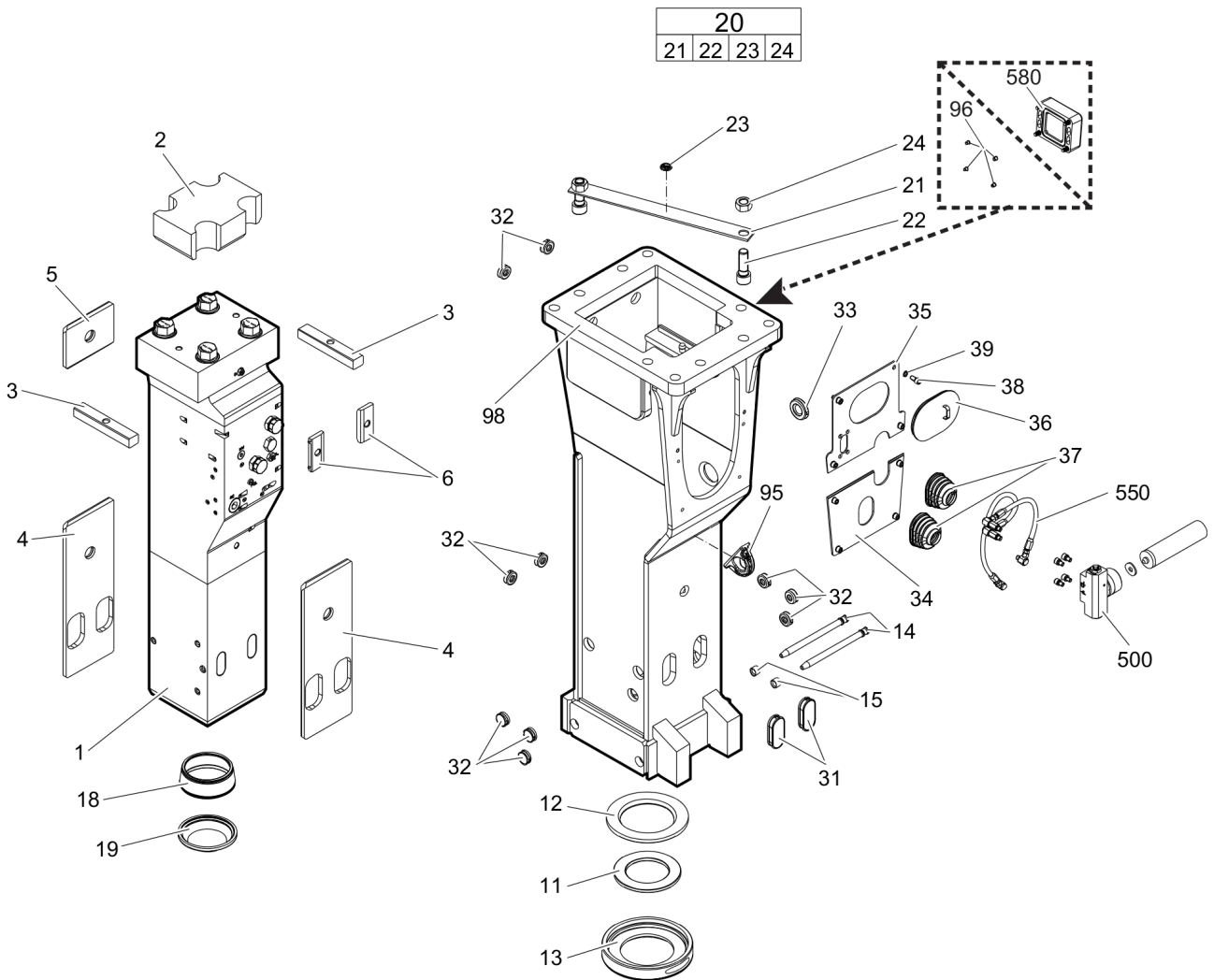
C | only for hydraulic breakers without HATCON

D | with item 95 and 96

E | HD version see chapter Optional parts

F | only for hydraulic breakers with HATCON / see separate chapter

Mechanical Hydraulic breaker MB 1650 DP



Item	Part No.	Name	Qty	L
1		Percussion unit	1	A
2	3363118181	Elastic pad	1	
3	3361847637	Shock absorber	2	
4	3363118296	Guide plate	2	
5	3363115969	Guide plate	1	
6	3363118182	Guide plate	2	
11	3363070661	Floating ring (tribolid)	1	B
12	3363035775	Counter ring	1	
13	3363035777	Guide ring	1	
14	3363069769	Bolt	2	
15	3361854363	Locking bush	2	
18	3363088659	Base for wiper	1	
19	3363066069	Wiper	1	
20(21-24)	3363083416	Transport safety device complete	1	
21		Transport safety device	1	
22	3360026883	Allen screw	2	
23	3363091872	Label transport safety device	1	
24	3360103254	Nut	2	
31	3363086011	Plug	2	
32	3363086015	Plug	10	
33	3362267893	Plug	1	
34	3363118184	Plate	1	
35	3363118308	Plate	1	
36	3363092697	Cover	1	
37	3363118186	Bellows	2	
38	3360103750	Allen screw	8	
39	3361850596	Pair of lock washers	8	
95	3363111994	Lifting eye	1	C
96	3315439145	Protective plug HATCON	4	D
98	3363118366	Breaker box	1	E
500	3363067123	Automatic lubrication system	1	F
550		Connecting kit for automatic lubrication system	1	G
580		HATCON	1	H

Comments for Page: Hydraulic breaker MB 1650 DP

A | see separate chapter

Note: When ordering a percussion unit for DustProtector version it is imperative to order additionally the base for wiper (item 18) and the wiper (item

Refer to the DocMine web page for most up-to-date information. The printed information might be outdated.

Wed Jan 06 14:03:34 UTC 2021

19).

B | steel see chapter Optional parts

C | professional welding process necessary

D | only for hydraulic breakers without HATCON

E | with item 95 and 96

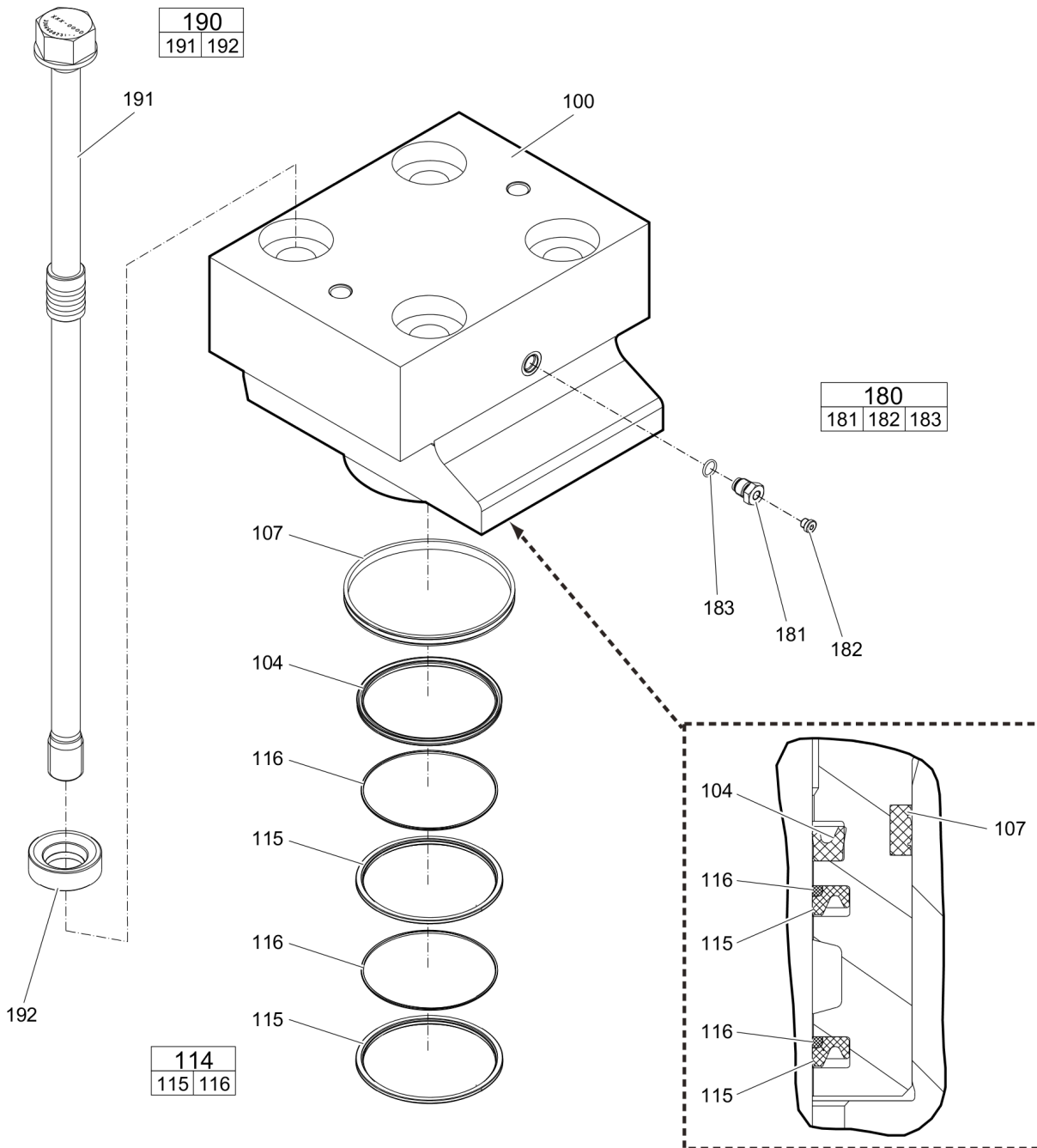
F | HD version see chapter Optional parts

G | see separate chapter

H | only for hydraulic breakers with HATCON / see separate chapter

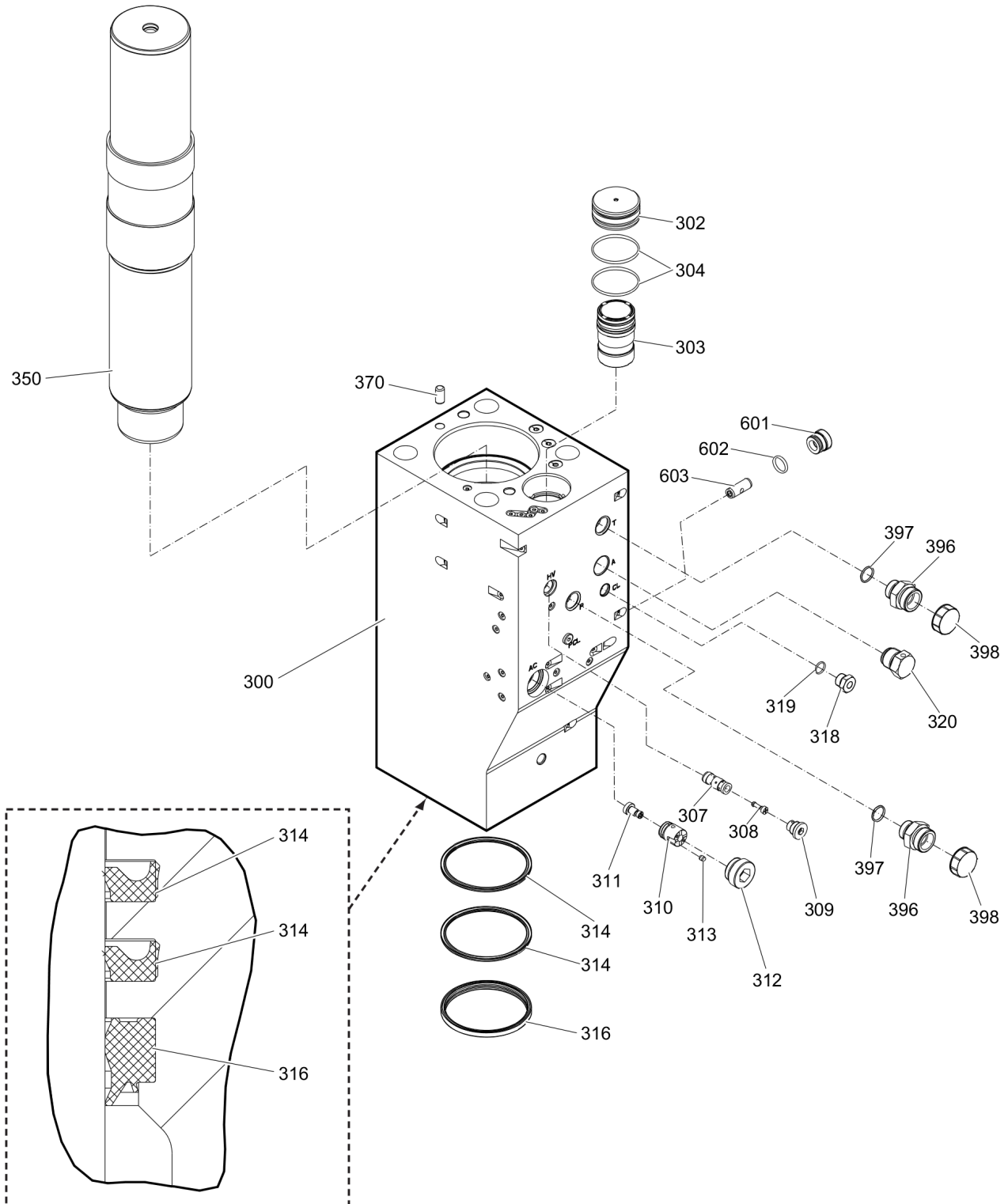
This page intentionally left blank

Mechanical Percussion unit part 1: cylinder cover



Item	Part No.	Name	Qty	L
100	3363120411	Cylinder cover	1	
104	3363120383	Seal	1	
107	3363120423	Seal	1	
114(115-116)	3363120456	Seal kit	2	
115		Seal	1	
116		Back-up ring	1	
180(181-183)	3363087286	Filling valve complete	1	
181		Filling valve	1	
182	3360478426	Threaded plug	1	
183	3360175125	O-ring	1	
190(191-192)	3363120418	Tensioning bolt complete	4	
191		Tensioning bolt	1	
192	3363097773	Washer	1	

Mechanical Percussion unit part 2: cylinder



Item	Part No.	Name	Qty	L
300	3363120412	Cylinder	1	A
302	3363120378	Cover	1	
303	3363120380	Main control valve	1	
304	3360314661	O-ring, 72 x 3.53 mm, 2.84 x 0.14 in. (90 shore)	2	
307	3363033059	Valve housing	1	
308	3363105305	Valve piston	1	B
309	3363033749	Threaded plug	1	
310	3363067803	Valve bushing	1	B
311	3363067805	Valve piston	1	B
312	3363069501	Threaded plug	1	B
313	3363066197	Pin	1	
314	3363122641	Seal	2	
316	3363120394	Wiper	1	
318	3361854657	Connecting screw	1	
319	3360478171	O-ring	1	
320	3361854511	Non-return valve	1	
350	3363120408	Percussion piston	1	
370	3360921179	Lock pin	1	
396	3360995665	Fitting	2	C
397	3360314551	O-ring	2	
398	3361353488	Protective cap	2	
601	3363082593	Plug	1	
602	3363083245	O-ring	1	
603	3363082505	Valve	1	D

Comments for Page: Percussion unit part 2: cylinder

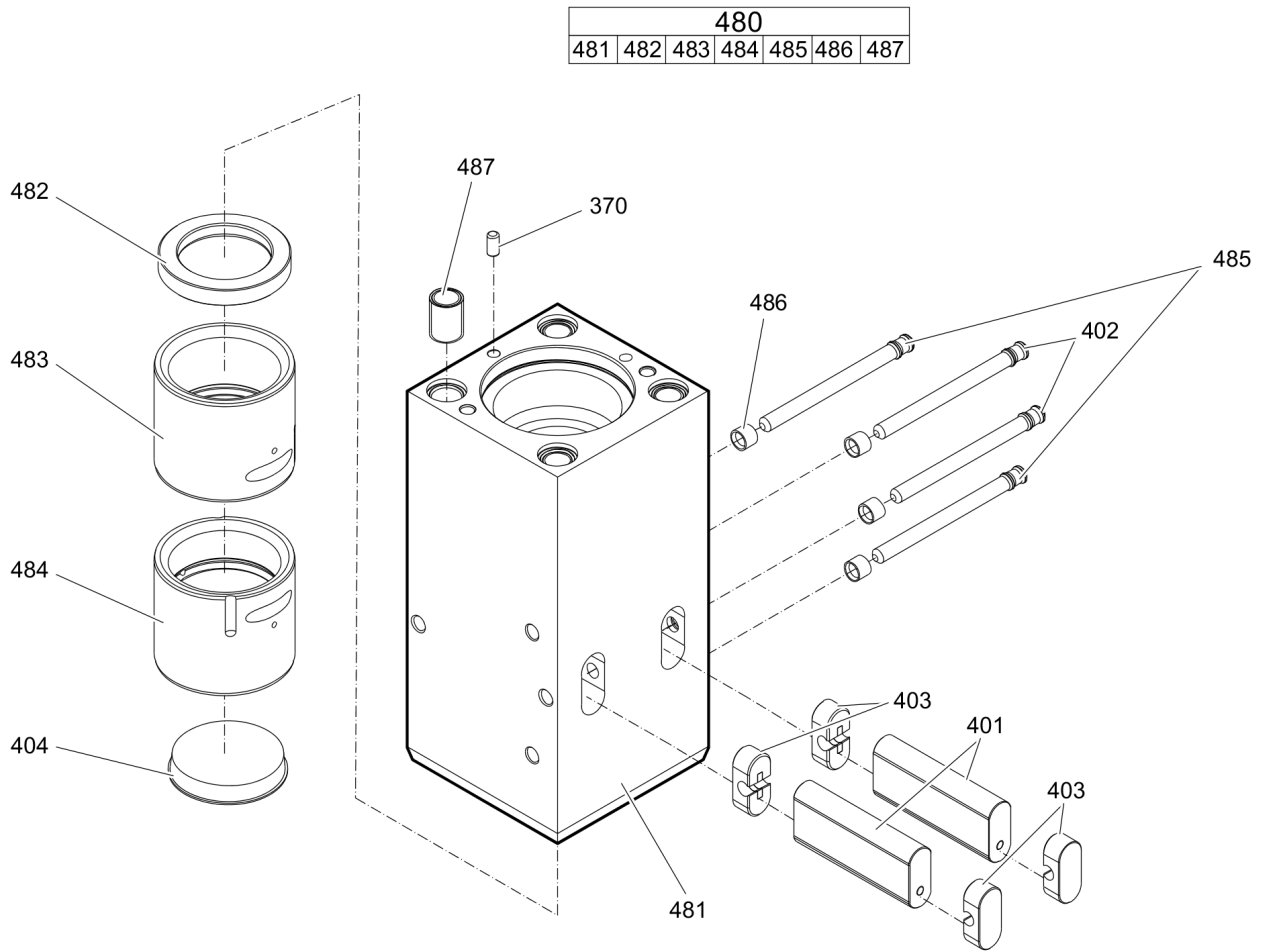
A | with items 601 - 603

B | AutoControl

C | with item 397

D | StartSelect

Mechanical Percussion unit part 3: lower breaker part

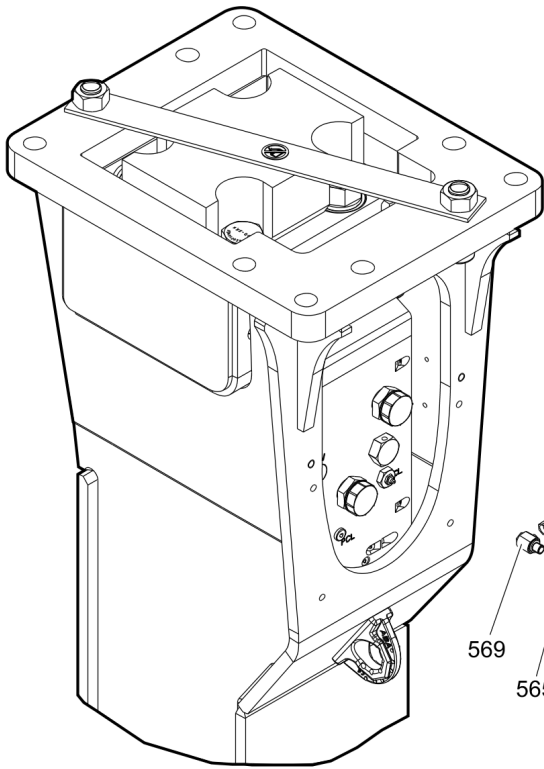


Item	Part No.	Name	Qty	L
370	3360921179	Lock pin	1	
401	3363120375	Retainer bar	2	
402	3363120384	Bolt	2	
403	3362262925	Plug	4	
404	3363066028	Protective cap	1	
480(481-487)	3363120415	Lower breaker part with lower wear bush steel	1	A
481		Lower breaker part	1	
482	3363069077	Impact ring	1	
483	3363069193	Wear bush	1	
484	3363088667	Wear bush (steel)	1	
485	3363120384	Bolt	2	
486	3361854363	Locking bush	4	
487	3363031774	Threaded insert	4	

Comments for Page: Percussion unit part 3: lower breaker part

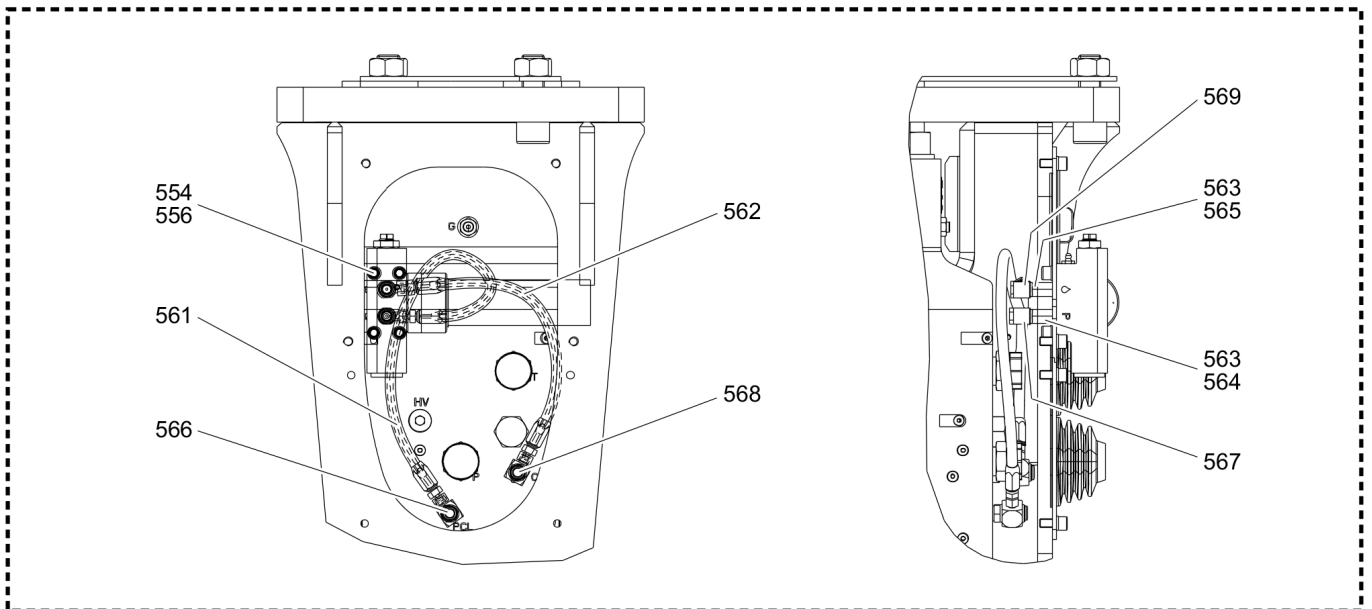
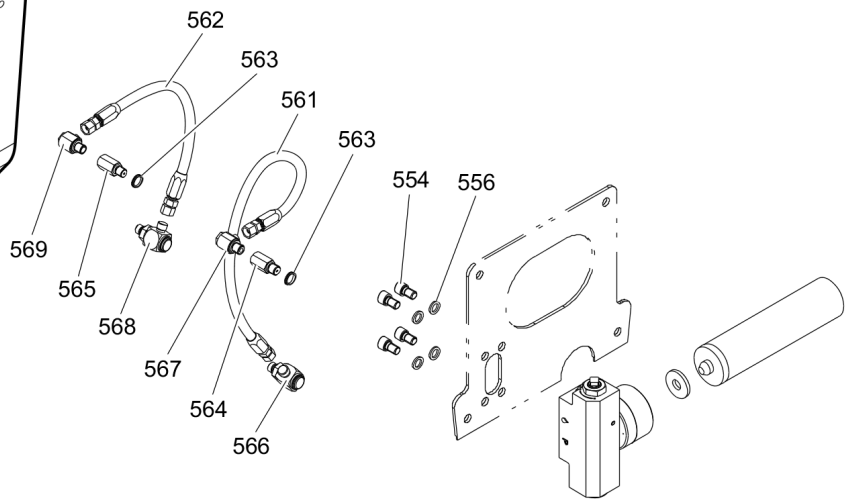
A | Note: When ordering a lower breaker part for DustProtector version it is imperative to order additionally the base for wiper (item 18) and the wiper (item 19).

Mechanical Connecting kit for automatic lubrication system



550		
554	556	560

560								
561	562	563	564	565	566	567	568	569



Refer to the DocMine web page for most up-to-date information. The printed information might be outdated.

Wed Jan 06 14:03:36 UTC 2021

Item	Part No.	Name	Qty	L
550(554-560)		Connecting kit for automatic lubrication system	1	
554	3362328480	Allen screw	4	A
556	3361850596	Pair of lock washers	4	
560(561-569)	3363120961	Connecting kit for automatic lubrication system	1	B
561	3363083878	Hydraulic hose	1	C
562	3363085541	Hydraulic hose	1	D
563	3363066951	Seal	2	
564	3363068745	Adapter	1	A
565	3363066887	Adapter	1	A
566	3363087185	Fitting	1	A
567	3363066234	Fitting	1	A
568	3363087186	Fitting	1	A
569	3363066233	Fitting	1	A

Comments for Page: Connecting kit for automatic lubrication system

(L)OCAL REMARKS

A | secure with Loctite 243

B | without fastening elements

C | Oil line

secure with Loctite 243

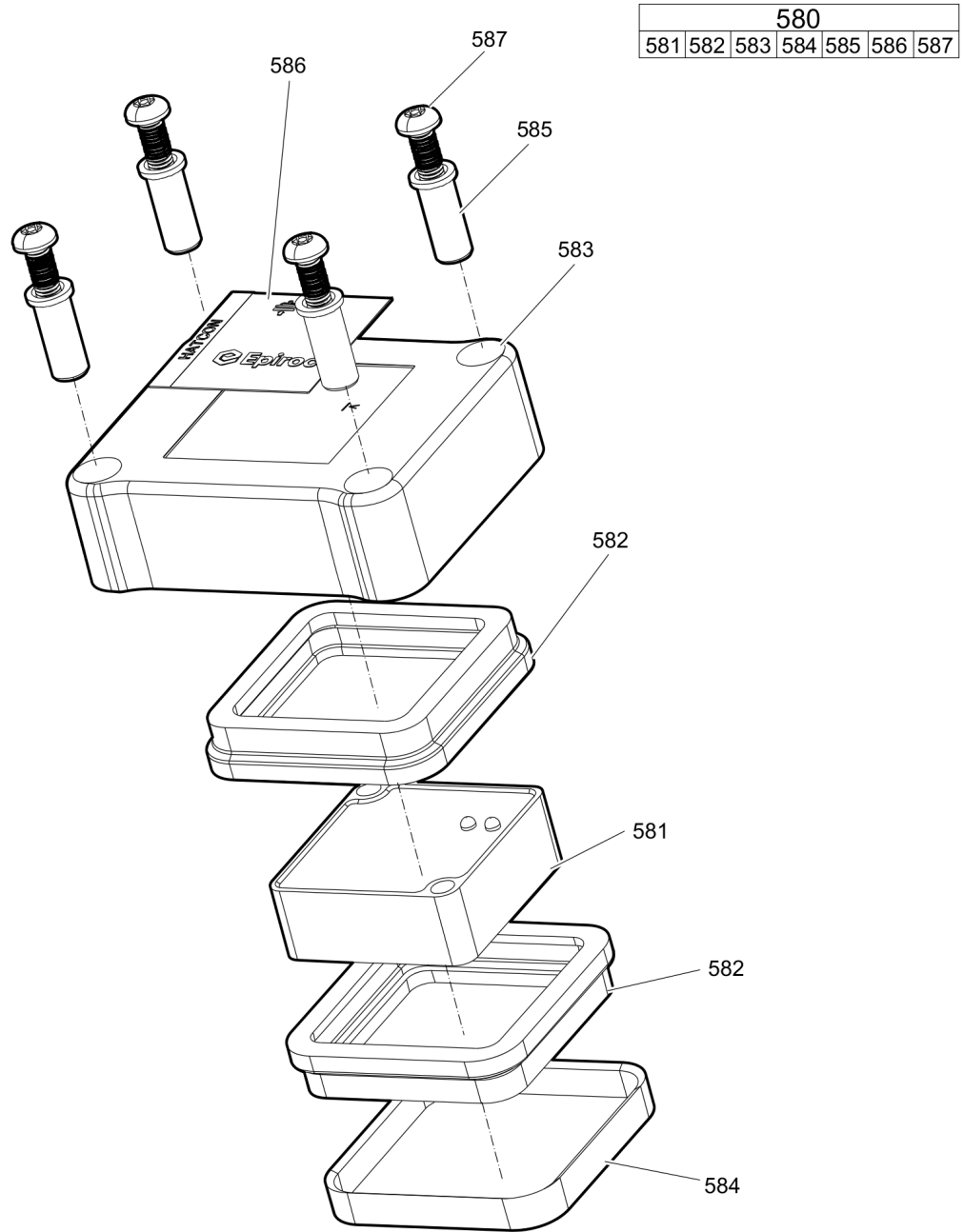
Route the hydraulic hoses as shown on the drawing. It must be ensured that the hydraulic hoses can move freely and are not in contact at any point.

D | Grease line

secure with Loctite 243

Route the hydraulic hoses as shown on the drawing. It must be ensured that the hydraulic hoses can move freely and are not in contact at any point.

Mechanical HATCON

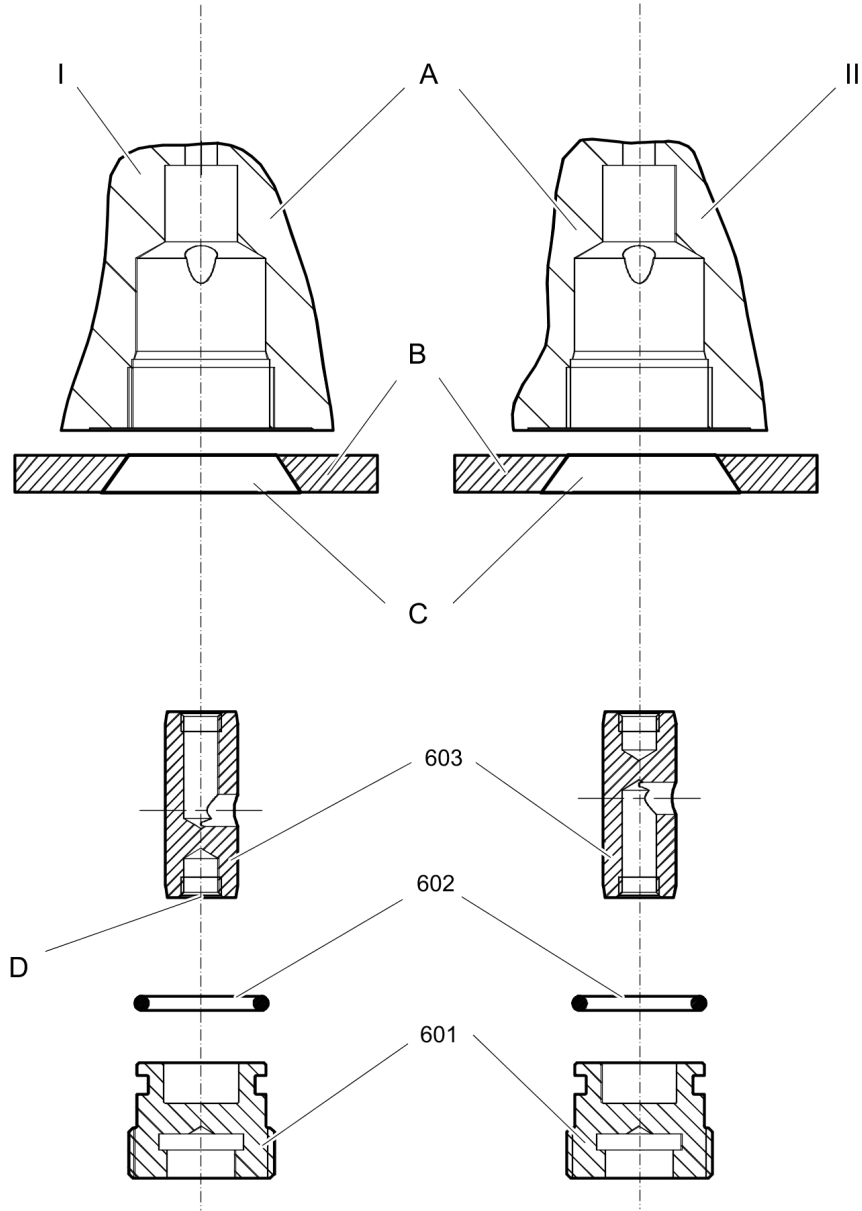


Item	Part No.	Name	Qty	L
580(581-587)		HATCON	1	A
581		Tracking module HATCON	1	
582	3315439130	Damper HATCON	2	
583	3315439110	Housing type 1 HATCON	1	
584	3315439140	Lock ring HATCON	1	
585	3315439120	Sleeve HATCON	4	
586	3315439100	Product label HATCON	1	
587	3315442600	Screw HATCON	4	

Comments for Page: HATCON

A | part number see chapter "Optional equipment"

Mechanical StartSelect - AutoStart or AutoStop



Item	Part No.	Name	Qty	L
601	3363082593	Plug	1	
602	3363083245	O-ring	1	
603	3363082505	Valve	1	A

Comments for Page: StartSelect - AutoStart or AutoStop

I = AutoStop setting

II = AutoStart setting (standard setting on delivery)

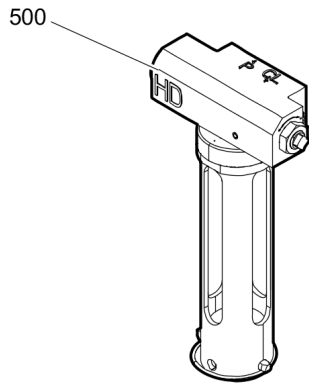
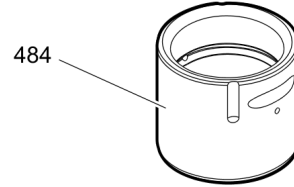
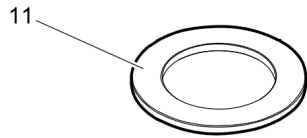
- A. Port bore in cylinder
- B. Wall of breaker box
- C. Plug of breaker box
- D. M 10 thread (both ends) for mounting

The position of the StartSelect unit is shown on the percussion unit illustrations.

(L)OCAL REMARKS

A | StartSelect

Mechanical Optional parts



Item	Part No.	Name	Qty	L
11	3363035773	Floating ring (steel)	1	
484	3363088661	Wear bush (bronze)	1	
500	3363117931	Automatic lubrication system HD	1	

Mechanical Tightening torques

NO EXPLODED VIEW
AVAILABLE
FOR THIS BOM

Item	Part No.	Name	Qty	L
22	-	Allen screw - 240 Nm (177 ft lbf)	-	A
24	-	Nut - 240 Nm (177 ft lbf)	-	B
38	-	Allen screw - 85 Nm (63 ft lbf)	-	C
181	-	Filling valve - 130 Nm (96 ft lbf)	-	D
182	-	Threaded plug - 20 Nm (15 ft lbf)	-	E
191	-	Tensioning bolt -	-	F
309	-	Threaded plug - 100 Nm (74 ft lbf)	-	G
312	-	Threaded plug - 350 Nm (258 ft lbf)	-	H
318	-	Threaded plug - 300 Nm (221 ft lbf)	-	A
320	-	Non-return valve - 200 Nm (148 ft lbf)	-	I
396	-	Fitting - 330 Nm (243 ft lbf)	-	J
554	-	Allen screw - 85 Nm (63 ft lbf)	-	C
561	-	Hydraulic hose - 42 Nm (31 ft lbf)	-	K
562	-	Hydraulic hose - 16 Nm (12 ft lbf)	-	L
564	-	Adapter - 55 Nm (41 ft lbf)	-	K
565	-	Adapter - 45 Nm (33 ft lbf)	-	K
566	-	Fitting - 60 Nm (44 ft lbf)	-	M
567	-	Fitting - 55 Nm (41 ft lbf)	-	N
568	-	Fitting - 50 Nm (37 ft lbf)	-	O
569	-	Fitting - 45 Nm (33 ft lbf)	-	P
587	-	Screw HATCON - 22 Nm (16 ft lbf)	-	Q
601	-	Plug - 200 Nm (148 ft lbf)	-	R

Comments for Page: Tightening torques

(L)OCAL REMARKS

A | Allen key size 22

B | Socket spanner size 46

C | Allen key size 10

D | Socket spanner size 22

E | Allen key size 5

F | Torque wrench or Power wrench size 55

1. Pretighten the tensioning bolts to 500 Nm (369 ft lbf), proceeding in a crosswise fashion,
2. then tighten each tensioning bolt through 150° (2.5 sides of hexagonal head) in a crosswise fashion,
3. finally tighten each tensioning bolt again through 150° (2.5 sides of hexagonal head) in a crosswise fashion.

F | Socket spanner size 14

G | Allen key size 12

H | Allen key size 24

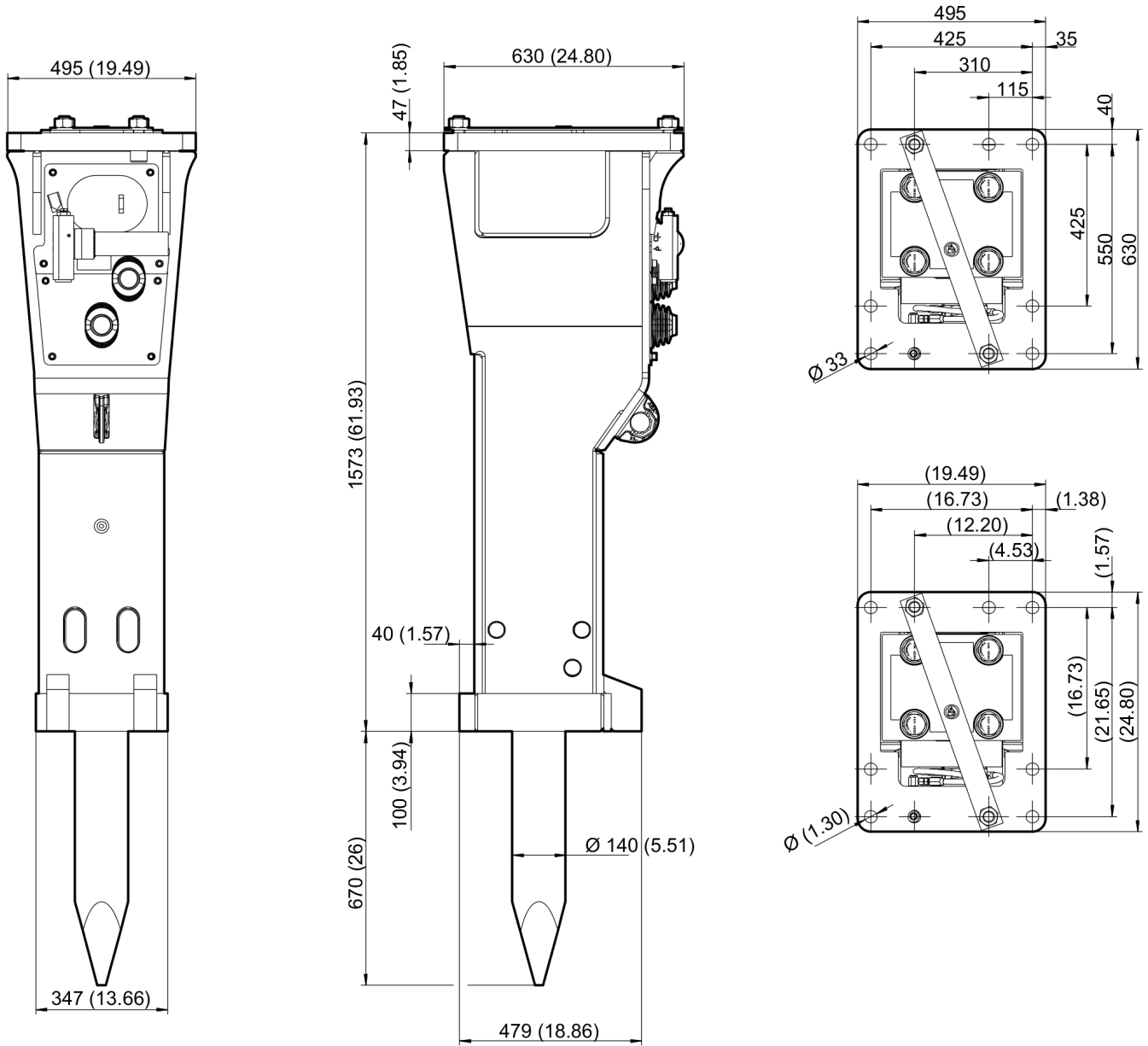
Refer to the DocMine web page for most up-to-date information. The printed information might be outdated.

Wed Jan 06 14:03:41 UTC 2021

- I | Socket spanner size 41
- J | Jaw spanner size 46/50
- K | Open-ended wrench size 19
- L | Open-ended wrench size 17
- M | Open-ended wrench size 19, 22, 27
- N | Open-ended wrench size 19, 22
- O | Open-ended wrench size 17, 22, 27
- P | Open-ended wrench size 17, 19, 22
- Q | Security bit HATCON
- R | Allen key size 17

This page intentionally left blank

Mechanical Dimensions MB 1650

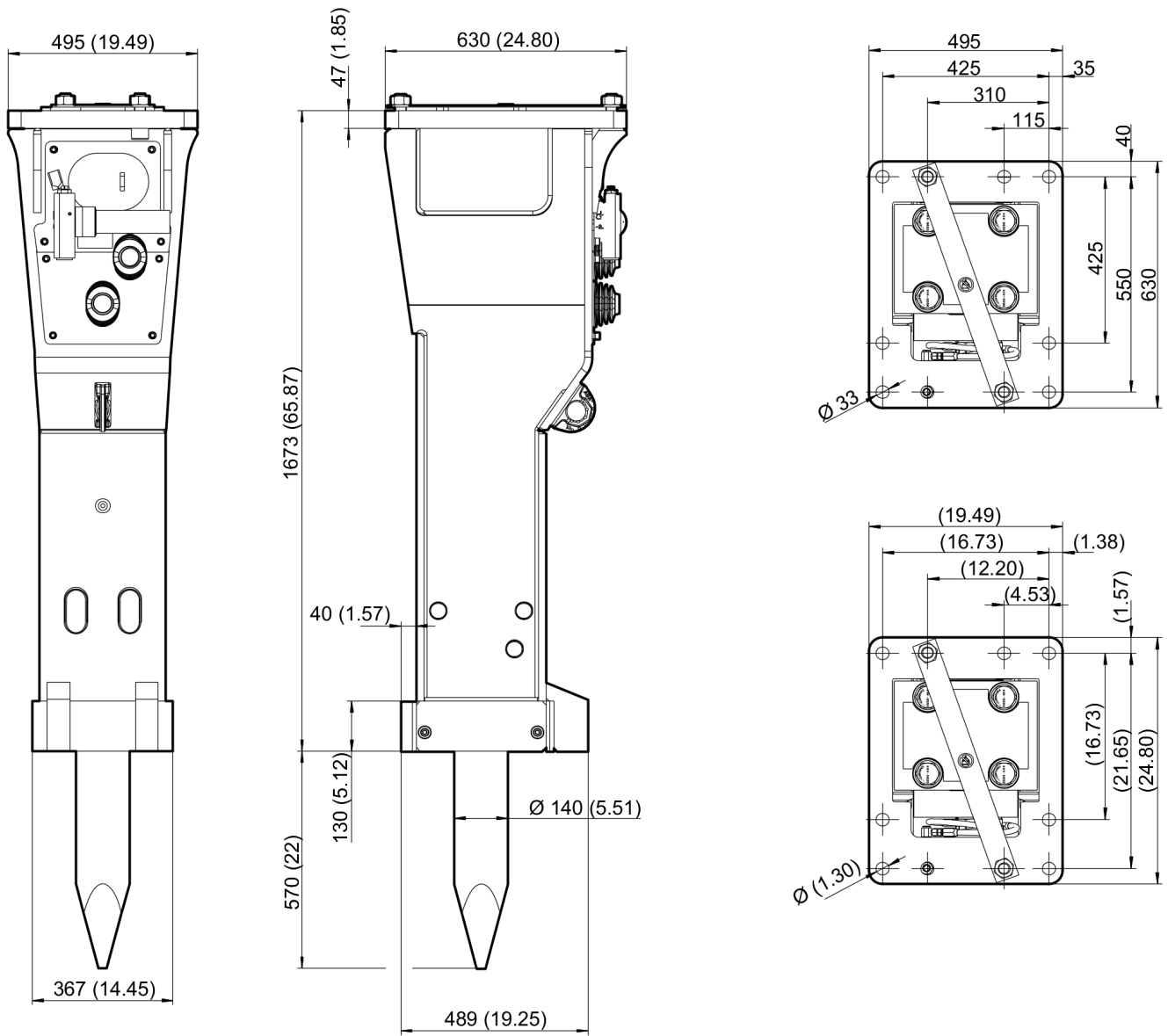


Refer to the DocMine web page for most up-to-date information. The printed information might be outdated.

Wed Jan 06 14:03:41 UTC 2021

This page intentionally left blank

Mechanical Dimensions MB 1650 DP



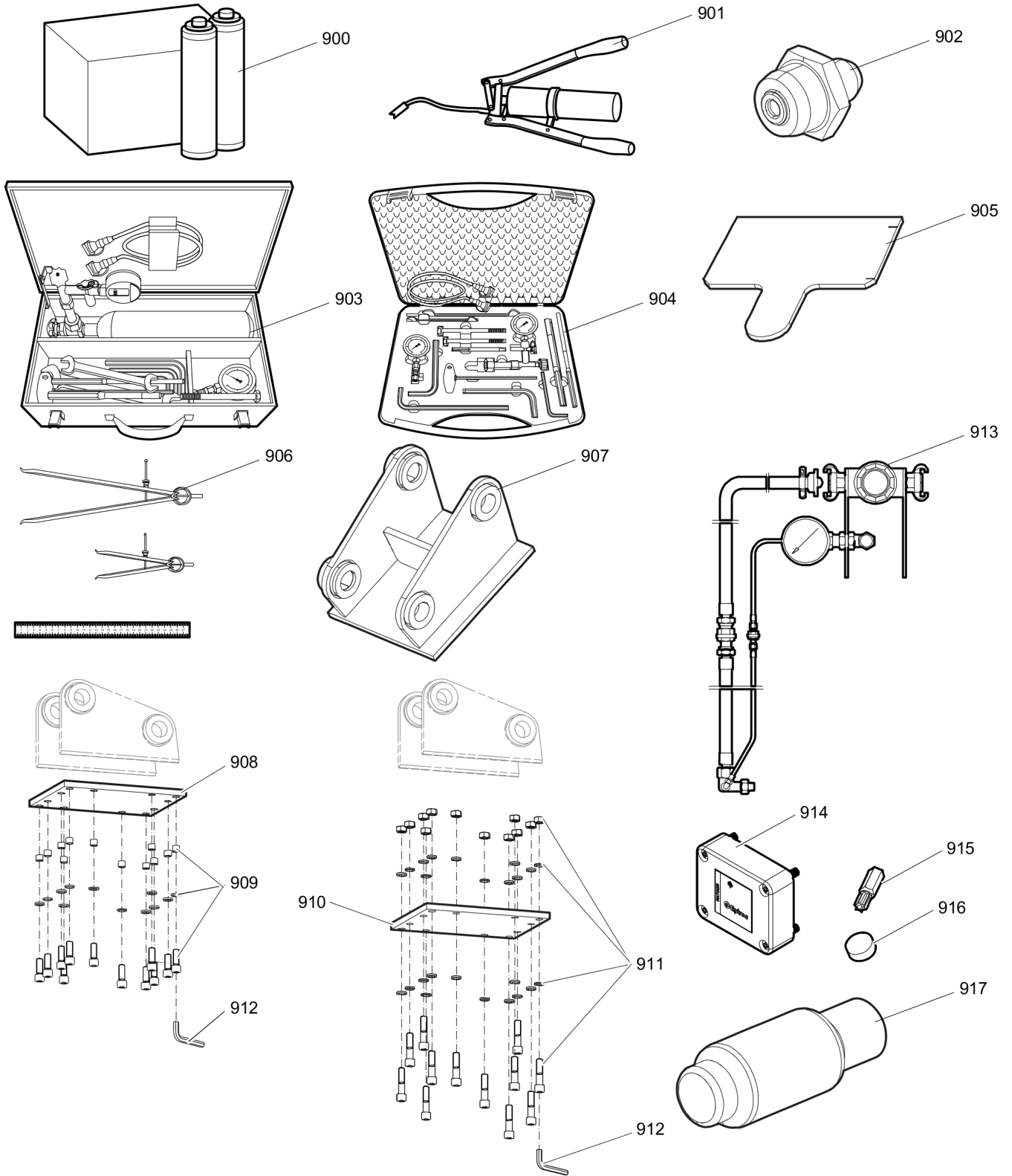
This page intentionally left blank

Options / accessories Hydraulic hoses

Image does not exist

Item	Part No.	Name	Qty	L
-	3360992340	Hydraulic hose, I.D. 25 (1"), both ends M42 x 2 conical seal 24°, length 2300 mm (91 in.)	2	
-	3361853859	Hydraulic hose, I.D. 25 (1"), both ends M42 x 2 conical seal 24°, length 2800 mm (110 in.)	2	

Options / accessories Optional equipment



Refer to the DocMine web page for most up-to-date information. The printed information might be outdated.
Wed Jan 06 14:03:42 UTC 2021

Item	Part No.	Name	Qty	L
900	3363122356	Bio chisel paste cartridge, 12 x 550 g (1.2 lbs)	1	
900	3363091200	Chisel paste cartridge, 12 x 500 g (1.1 lbs)	1	
901	3363034567	GREASE PUMP	1	
902	3360433774	Grease nipple	1	
903	3363089844	Maintenance and charging box with nitrogen cylinder, 2 l, 0.43 gal (0.53 US gal)	1	
904	3363094940	Maintenance and charging box without nitrogen cylinder	1	
905	3363067413	Test gauge lower wear bush	1	
906	3363094952	Inside callipers upper wear bush	1	
907		Adapter plate matching the carrier. Consult the authorized Customer Center/Dealer in your area.	1	
908	3363099799	Base plate with threaded inserts	1	
909	3363087303	Bolt kit	1	
910	3363100697	Base plate with through borings	1	
911	3363094575	Bolt kit	1	
912	3360209445	Allen key (22 mm)	1	
913	3363090531	Adapter kit for underwater applications	1	
914	3315442500	Retrofit kit HATCON	1	A
915	3315439105	Security bit HATCON	1	
916	3315439106	Magnet HATCON	1	
917	3363092981	Piston retainer	1	B

Comments for Page: Optional equipment

A | with item 915 and 916

Hydraulic breakers are factory equipped with threads for attaching Retrofit kit HATCON

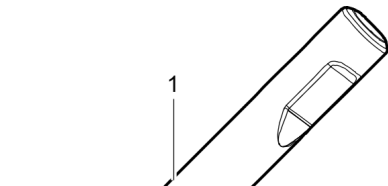
from s/n DEQ200128 - (MB 1650)

from s/n DEQ200168 - (MB 1650 DP)

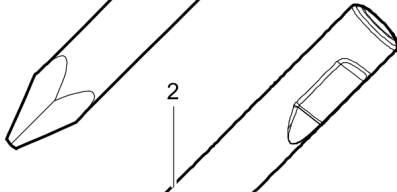
from s/n DEQ200049 - (MB 1650 E)

B | Consult the authorized Customer Center/Dealer in your area.

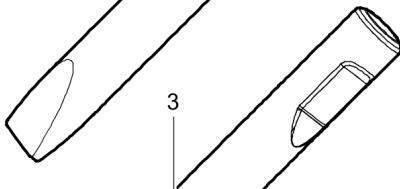
Options / accessories Working tools ClassicLine MB 1650



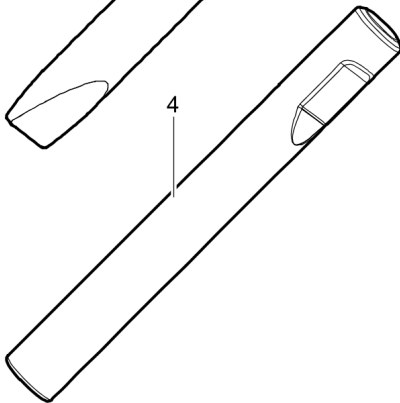
Ø=140 mm, L=670 mm, LT=1150 mm, Wt=120.7 kg
 Ø=5.51 inch, L=26 inch, LT=45.28 inch, Wt=266.1 lb



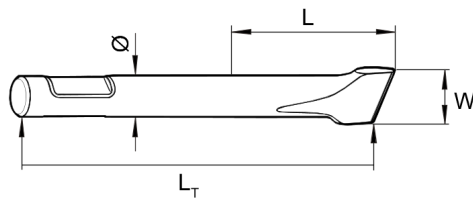
Ø=140 mm, W=140 mm, L=670 mm, LT=1150 mm, Wt=125.8 kg
 Ø=5.51 inch, W=5.51 inch, L=26 inch, LT=45.28 inch, Wt=277.3 lb



Ø=140 mm, W=140 mm, L=670 mm, LT=1150 mm, Wt=125.8 kg
 Ø=5.51 inch, W=5.51 inch, L=26 inch, LT=45.28 inch, Wt=277.3 lb

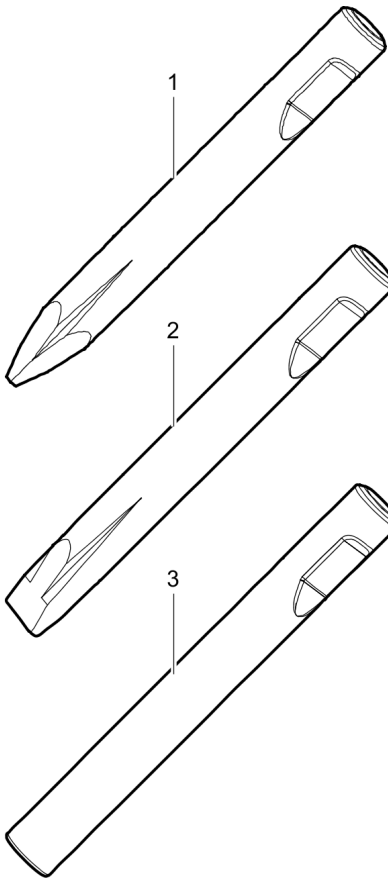


Ø=140 mm, L=670 mm, LT=1150 mm, Wt=134.7 kg
 Ø=5.51 inch, L=26 inch, LT=45.28 inch, Wt=297.0 lb



Item	Part No.	Name	Qty	L
1	3363119675	Moil point	1	
2	3363119676	Chisel (cross)	1	
3	3363119677	Chisel (parallel)	1	
4	3363119678	Blunt tool	1	

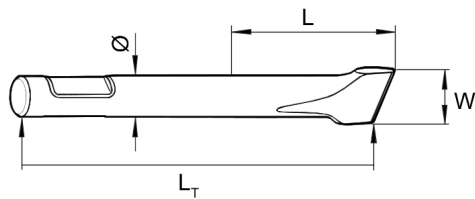
Options / accessories Working tools ProLine MB 1650



Ø=140 mm, L=715 mm, LT=1200 mm, Wt=125.5 kg
 Ø=5.51 inch, L=28 inch, LT=47.24 inch, Wt=276.7 lb

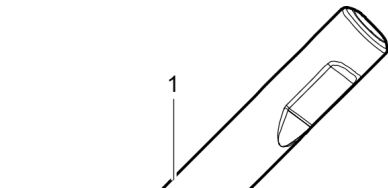
Ø=140 mm, W=140 mm, L=715 mm, LT=1200 mm, Wt=130.4 kg
 Ø=5.51 inch, W=5.51 inch, L=28 inch, LT=47.24 inch, Wt=287.5 lb

Ø=140 mm, L=715 mm, LT=1200 mm, Wt=141.0 kg
 Ø=5.51 inch, L=28 inch, LT=47.24 inch, Wt=310.8 lb

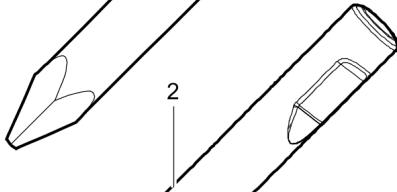


Item	Part No.	Name	Qty	L
1	3363118356	Moil point	1	
2	3363118358	Chisel (cross)	1	
3	3363104341	Blunt tool	1	

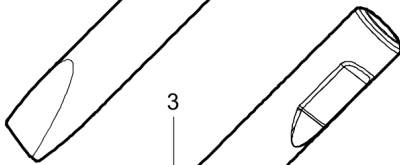
Options / accessories Working tools ClassicLine MB 1650 DP



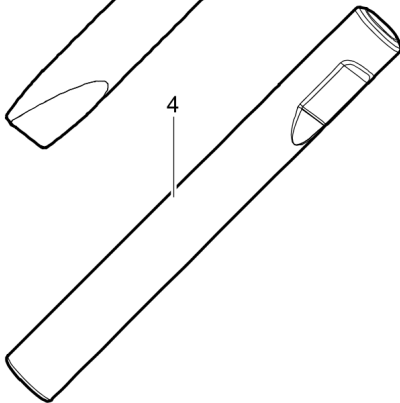
Ø=140 mm, L=570 mm, LT=1150 mm, Wt=120.7 kg
 Ø=5.51 inch, L=22 inch, LT=45.28 inch, Wt=266.1 lb



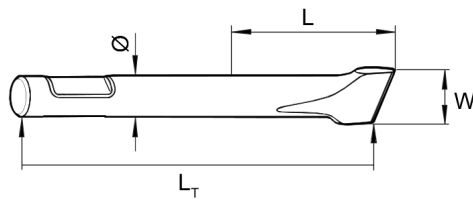
Ø=140 mm, W=140 mm, L=570 mm, LT=1150 mm, Wt=125.8 kg
 Ø=5.51 inch, W=5.51 inch, L=22 inch, LT=45.28 inch, Wt=277.3 lb



Ø=140 mm, W=140 mm, L=570 mm, LT=1150 mm, Wt=125.8 kg
 Ø=5.51 inch, W=5.51 inch, L=22 inch, LT=45.28 inch, Wt=277.3 lb



Ø=140 mm, L=570 mm, LT=1150 mm, Wt=134.7 kg
 Ø=5.51 inch, L=22 inch, LT=45.28 inch, Wt=297.0 lb

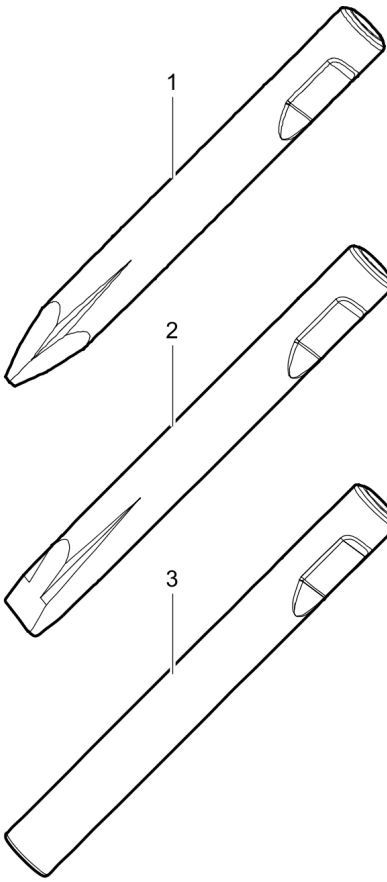


Refer to the DocMine web page for most up-to-date information. The printed information might be outdated.

Wed Jan 06 14:03:44 UTC 2021

Item	Part No.	Name	Qty	L
1	3363119675	Moil point	1	
2	3363119676	Chisel (cross)	1	
3	3363119677	Chisel (parallel)	1	
4	3363119678	Blunt tool	1	

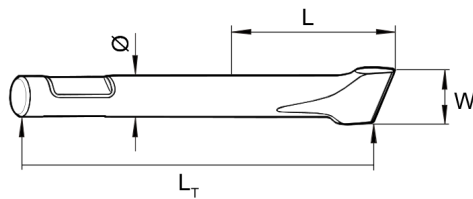
Options / accessories Working tools ProLine MB 1650 DP



Ø=140 mm, L=615 mm, LT=1200 mm, Wt=125.5 kg
 Ø=5.51 inch, L=24 inch, LT=47.24 inch, Wt=276.7 lb

Ø=140 mm, W=140 mm, L=615 mm, LT=1200 mm, Wt=130.4 kg
 Ø=5.51 inch, W=5.51 inch, L=24 inch, LT=47.24 inch, Wt=287.5 lb

Ø=140 mm, L=615 mm, LT=1200 mm, Wt=141.0 kg
 Ø=5.51 inch, L=24 inch, LT=47.24 inch, Wt=310.8 lb



Refer to the DocMine web page for most up-to-date information. The printed information might be outdated.

Wed Jan 06 14:03:44 UTC 2021

Item	Part No.	Name	Qty	L
1	3363118356	Moil point	1	
2	3363118358	Chisel (cross)	1	
3	3363104341	Blunt tool	1	

Any unauthorized use or copying of the contents or any part thereof is prohibited.
This applies in particular to trademarks, model denominations, part numbers, and drawings.