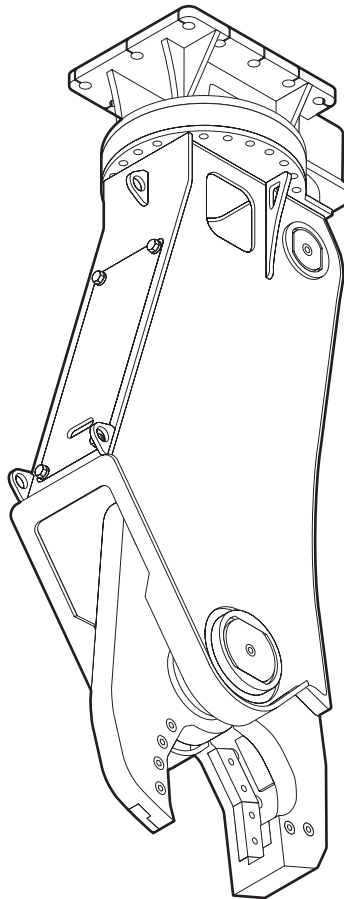


# SC 600

---

## Spare parts list Hydraulic scrap cutter



# General information

This spare parts list applies to the following:

Part number	Description
3093040062	Hydraulic scrap cutter SC 600

Use only authorized parts. Any damage or malfunction caused by the use of unauthorized parts is not covered by Warranty or Product Liability. Any unauthorized use or copying of the contents or any part thereof is prohibited. This applies in particular to trademarks, model denominations, part numbers, and drawings.

## Instructions for use

This spare parts list contains no safety regulations and is merely intended to assist in the ordering of spare parts.

For information about operating, servicing, or repairing, the relevant Safety and operating instructions must be consulted at all costs.

Please observe the safety instructions listed in the relevant Safety and operating instructions!

## Instructions for ordering

It is essential to indicate the serial number of the hydraulic attachment when ordering spare parts!

Please note the full identification number of your hydraulic attachment.

Determine the quantity of individual parts which are required and need to be ordered. The order must indicate the following details:

- full identification code of the hydraulic attachment
- required quantity
- part number
- description

**Service, repair and wear part kits**

Kit list ..... 1

**Mechanical**

Cutter casing ..... 3  
Cutter jaw ..... 5  
Hydraulic cylinder ..... 7  
Upper part ..... 9  
Tightening torques ..... 11  
Dimensions ..... 13

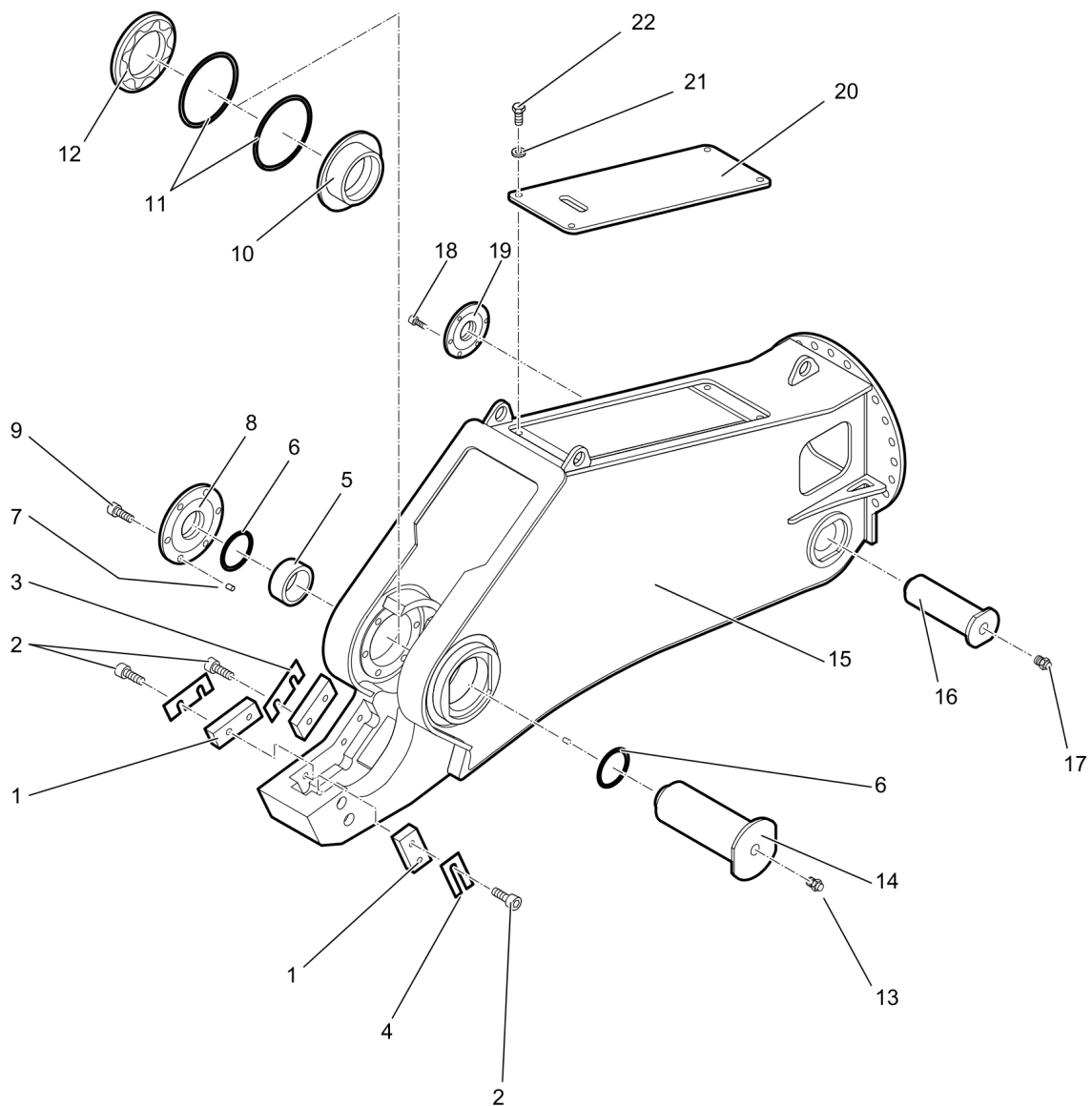
**Options / accessories**

Optional equipment ..... 14

**Service, repair and wear part kits** Kit list

NO EXPLODED VIEW  
AVAILABLE  
FOR THIS BOM

Item	Part No.	Name	Qty	L
KIT	3363094344	Label kit	1	
KIT	3363098266	Cutter blades kit	1	
1	3363095720	Cutter blade	3	
2	3363095379	Allen screw	6	
3	3363095716	Shim	4	
4	3363095717	Shim	2	
101	3363095720	Cutter blade	1	
102	3363095716	Shim	2	
103	3363095719	Cutter blade	1	
104	3363095378	Screw	4	

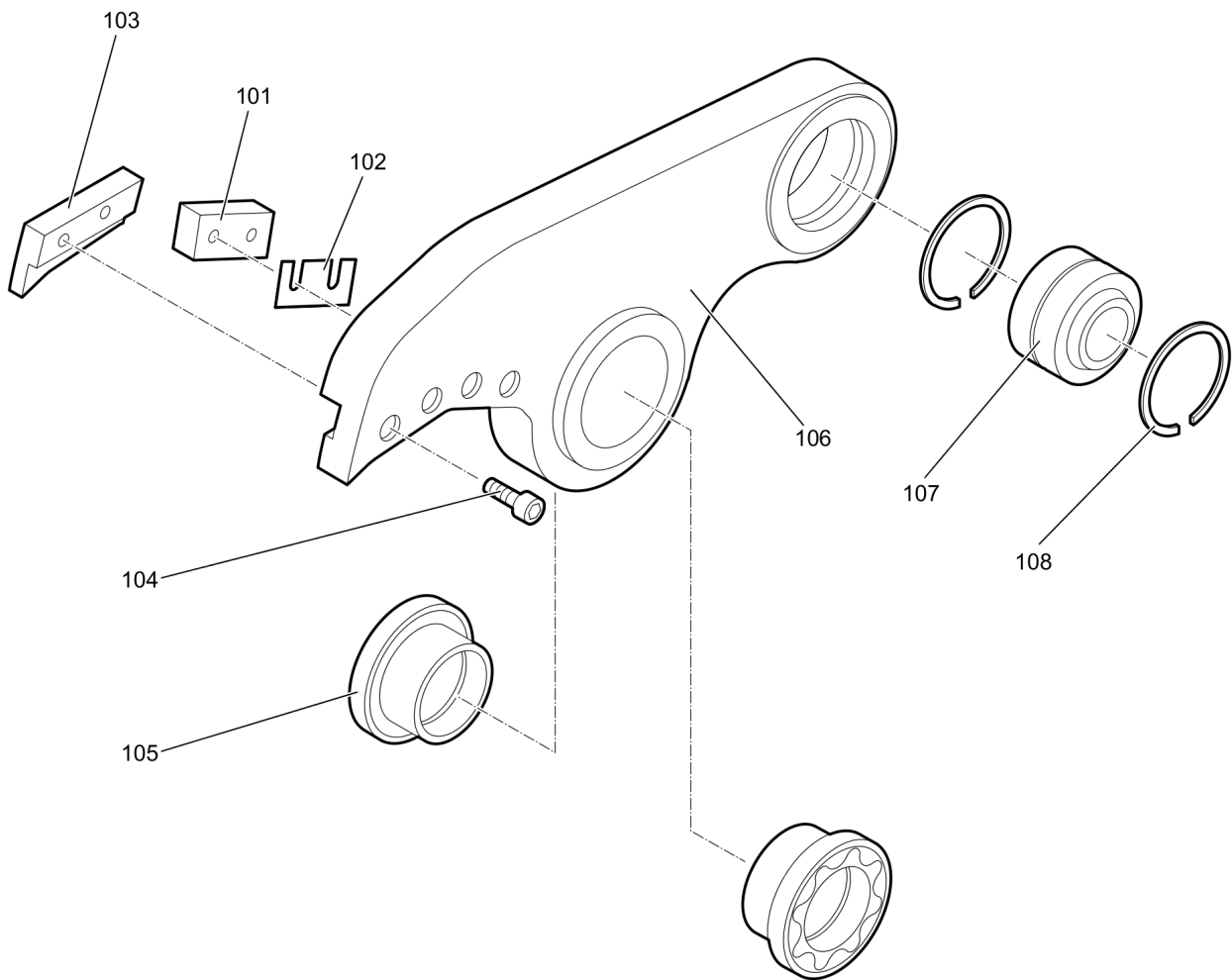
**Mechanical** Cutter casing

Refer to Parts Online for the most up to date information. The printed information might be outdated.

Tue Nov 14 13:40:42 UTC 2017

Item	Part No.	Name	Qty	L
1	3363095720	Cutter blade	3	
2	3363095379	Allen screw	6	
3	3363095716	Shim	4	
4	3363095717	Shim	2	
5	3363095707	Bush	1	
6	3363095184	O-ring	2	
7	3363095067	Pin	6	
8	3363095440	Cap	1	
9	3363095053	Screw	6	
10	3363095708	Bush	1	
11	3363095187	O-ring	2	
12	3363095709	Flange	1	
13	3363095076	Grease nipple	2	
14	3363095712	Bolt	1	
15	3363095722	Cutter casing	1	
16	3363095714	Bolt	1	
17	3363095075	Grease nipple	1	
18	3363095370	Screw	2	
19	3363095396	Cap	1	
20	3363095721	Cap	1	
21	3363095086	Disc	4	
22	3363095006	Screw	4	

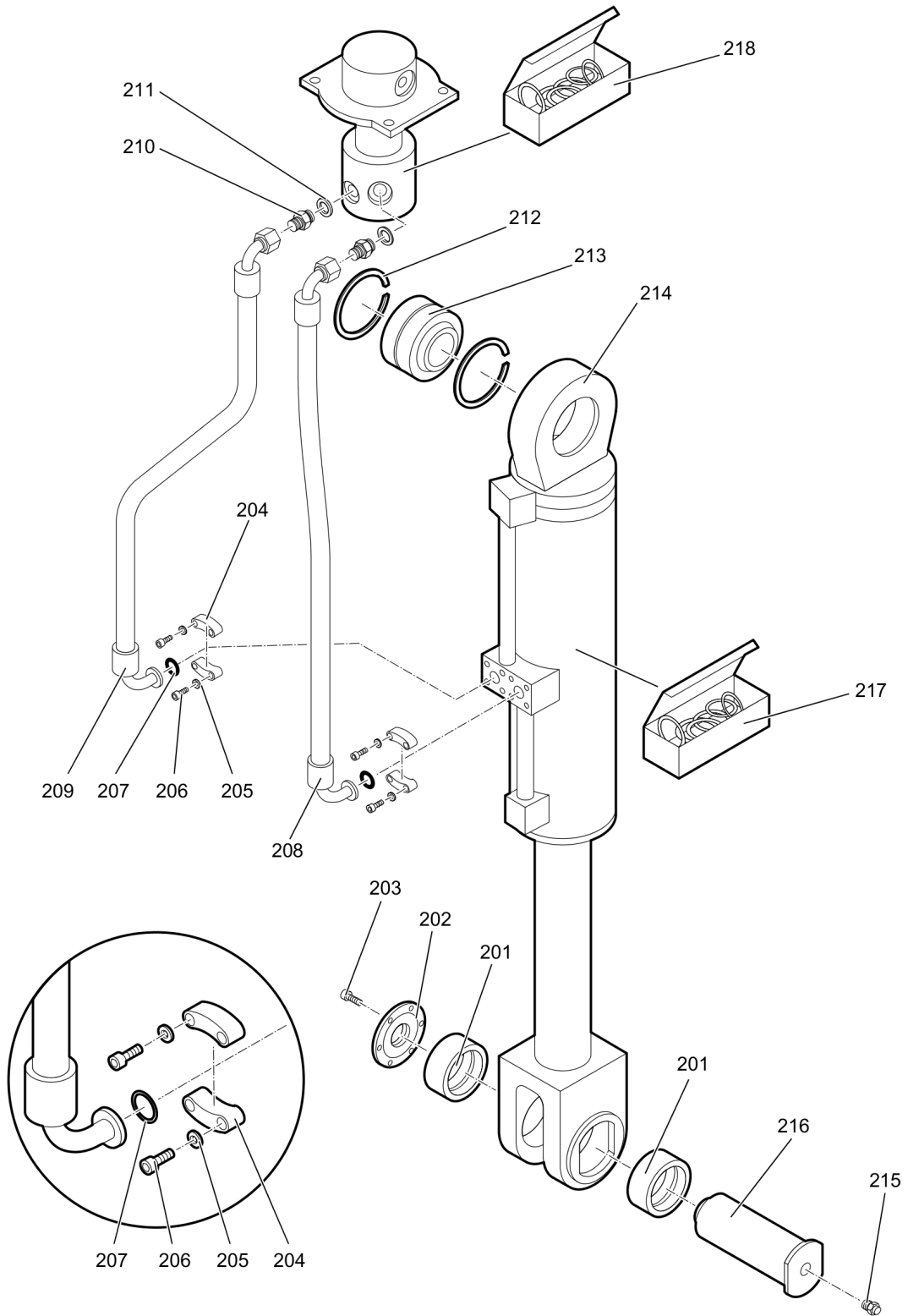
**Mechanical** Cutter jaw





Item	Part No.	Name	Qty	L
101	3363095720	Cutter blade	1	
102	3363095716	Shim	2	
103	3363095719	Cutter blade	1	
104	3363095378	Screw	4	
105	3363095708	Bush	2	
106	3363095703	Cutter jaw	1	
107	3363095429	Spherical plain bearing	1	
108	3363095097	Snapping	2	

**Mechanical** Hydraulic cylinder

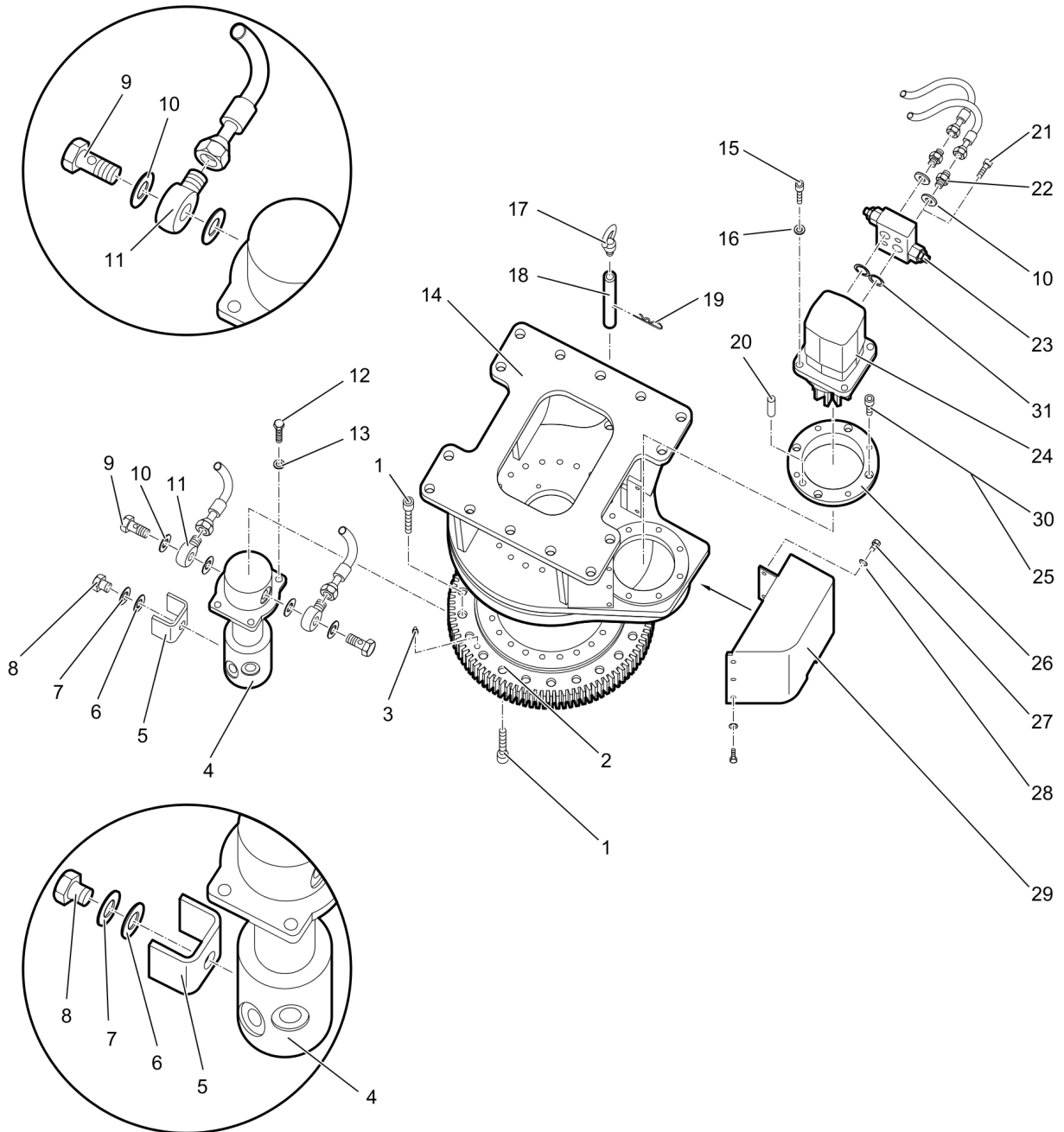


Refer to Parts Online for the most up to date information. The printed information might be outdated.

Tue Nov 14 13:40:44 UTC 2017

Item	Part No.	Name	Qty	L
201	3363095198	Bush	2	
202	3363095396	Cap	1	
203	3363095370	Screw	2	
204	3363095136	SAE flange	4	
205	3363095085	Washer	8	
206	3363095011	Screw	8	
207	3363095468	O-ring	2	
208	3363095711	Hydraulic hose	1	
209	3363095710	Hydraulic hose	1	
210	3363095121	Fitting	2	
211	3363095157	Seal	2	
212	3363095097	Snpring	2	
213	3363095429	Spherical plain bearing	1	
214	3363095197	Cylinder	1	
215	3363095075	Grease nipple	1	
216	3363095713	Bolt	1	
217	3363095321	Seal kit	1	
218	3363095298	Seal kit	1	

**Mechanical** Upper part



Refer to Parts Online for the most up to date information. The printed information might be outdated.

Tue Nov 14 13:40:44 UTC 2017

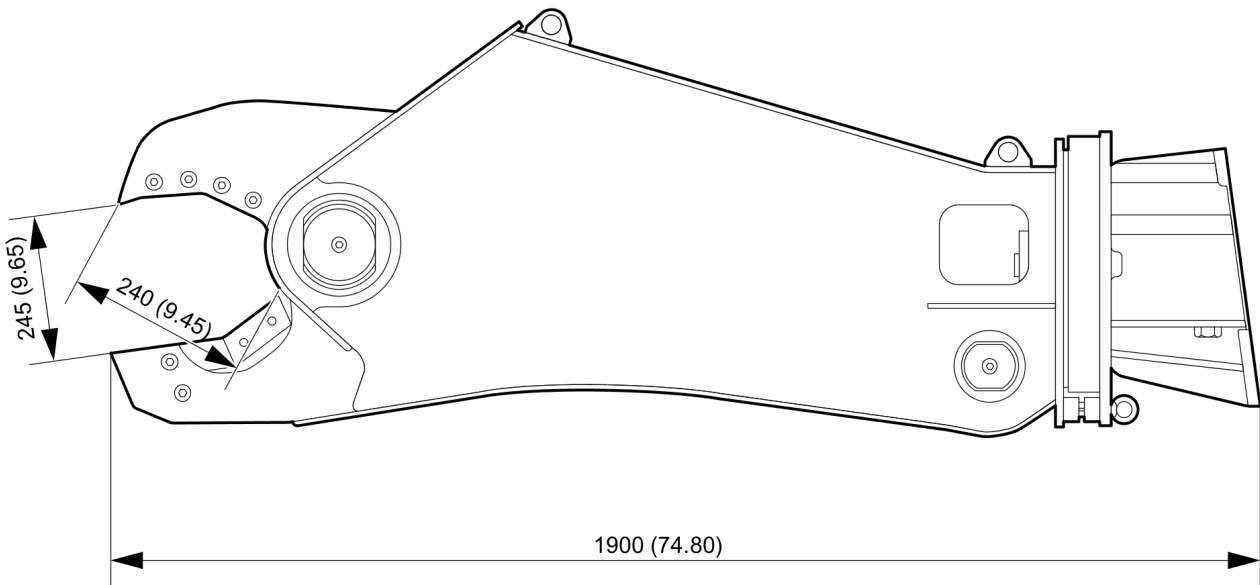
Item	Part No.	Name	Qty	L
1	3363095374	Screw	51	
2	3363095571	Thrust bearing	1	
3	3363095076	Grease nipple	2	
4	3363095512	Rotary transmission	1	
5	3363095705	Support	1	
6	3363095092	Washer	1	
7	3363095090	Washer	1	
8	3363095023	Screw	1	
9	3363095119	Screw	2	
10	3363095157	Seal	4	
11	3363095118	Connection	2	
12	3363095046	Screw	4	
13	3363095086	Disc	4	
14	3363095704	Upper part	1	
15	3363095058	Screw	4	
16	3363095409	Washer	4	
17	3363095073	Eyebolt	1	
18	3363095715	Bolt	1	
19	3363095114	Spring retaining pin	1	
20	3363095096	Spring pin	2	
21	3363095008	Screw	2	
22	3363095121	Fitting	2	
23	3363095145	Valve	1	
24	3363095144	Hydraulic motor	1	
25	3363095048	Screw	3	
26	3363095706	Support	1	
27	3363095005	Screw	5	
28	3363095085	Washer	5	
29	3363095718	Cap	1	
30	3363095047	Screw	1	
31	3360031466	O-ring	2	

**Mechanical** Tightening torques

NO EXPLODED VIEW  
AVAILABLE  
FOR THIS BOM

Item	Part No.	Name	Qty	L
Not Shown	-	Bolt size: M8, property class: 8.8 - 25 Nm		
Not Shown	-	Bolt size: M10, property class: 8.8 - 50 Nm		
Not Shown	-	Bolt size: M12, property class: 8.8 - 85 Nm		
Not Shown	-	Bolt size: M14, property class: 8.8 - 135 Nm		
Not Shown	-	Bolt size: M16, property class: 8.8 - 210 Nm		
Not Shown	-	Bolt size: M18, property class: 8.8 - 290 Nm		
Not Shown	-	Bolt size: M20, property class: 8.8 - 410 Nm		
Not Shown	-	Bolt size: M24, property class: 8.8 - 710 Nm		
Not Shown	-	Bolt size: M27, property class: 8.8 - 1050 Nm		
Not Shown	-	Bolt size: M30, property class: 8.8 - 1420 Nm		
Not Shown	-	Bolt size: M8, property class: 10.9 - 35 Nm		
Not Shown	-	Bolt size: M10, property class: 10.9 - 70 Nm		
Not Shown	-	Bolt size: M12, property class: 10.9 - 120 Nm		
Not Shown	-	Bolt size: M14, property class: 10.9 - 190 Nm		
Not Shown	-	Bolt size: M16, property class: 10.9 - 295 Nm		
Not Shown	-	Bolt size: M18, property class: 10.9 - 410 Nm		
Not Shown	-	Bolt size: M20, property class: 10.9 - 575 Nm		
Not Shown	-	Bolt size: M24, property class: 10.9 - 995 Nm		
Not Shown	-	Bolt size: M27, property class: 10.9 - 1450 Nm		
Not Shown	-	Bolt size: M30, property class: 10.9 - 2000 Nm		
Not Shown	-	Bolt size: M8, property class: 12.9 - 42 Nm		
Not Shown	-	Bolt size: M10, property class: 12.9 - 85 Nm		
Not Shown	-	Bolt size: M12, property class: 12.9 - 145 Nm		
Not Shown	-	Bolt size: M14, property class: 12.9 - 230 Nm		
Not Shown	-	Bolt size: M16, property class: 12.9 - 355 Nm		
Not Shown	-	Bolt size: M18, property class: 12.9 - 490 Nm		
Not Shown	-	Bolt size: M20, property class: 12.9 - 690 Nm		
Not Shown	-	Bolt size: M24, property class: 12.9 - 935 Nm		
Not Shown	-	Bolt size: M27, property class: 12.9 - 1750 Nm		
Not Shown	-	Bolt size: M30, property class: 12.9 - 2350 Nm		

**Mechanical Dimensions**





This page intentionally left blank

**Options / accessories** Optional equipment

NO EXPLODED VIEW  
AVAILABLE  
FOR THIS BOM

Item	Part No.	Name	Qty	L
-	3363094914	Cutter grease cartridge, 12 x 400 g (0.88 lbs)	1	
-	0909107100	Grease gun for 400 g cartridge	1	

Any unauthorized use or copying of the contents or any part thereof is prohibited.  
This applies in particular to trademarks, model denominations, part numbers, and drawings.