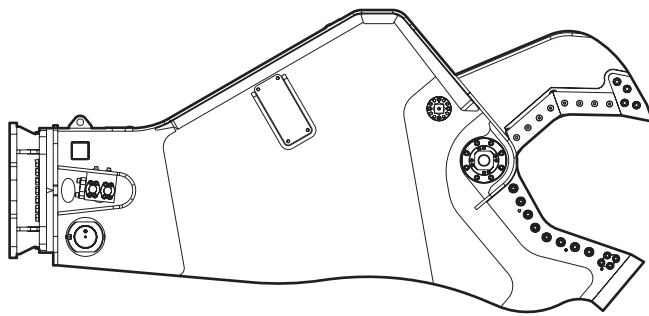


SC 8300

Spare parts list Hydraulic steel cutter

SC 8300 s/n DEQ169170 -



General information

This spare parts list applies to the following:

Part number	Description
3363119002	Hydraulic steel cutter SC 8300

Use only authorized parts. Any damage or malfunction caused by the use of unauthorized parts is not covered by Warranty or Product Liability. Any unauthorized use or copying of the contents or any part thereof is prohibited. This applies in particular to trademarks, model denominations, part numbers, and drawings.

Instructions for use

This spare parts list contains no safety regulations and is merely intended to assist in the ordering of spare parts.

For information about operating, servicing, or repairing, the relevant Safety and operating instructions must be consulted at all costs.

Please observe the safety instructions listed in the relevant Safety and operating instructions!

Instructions for ordering

It is essential to indicate the serial number of the hydraulic attachment when ordering spare parts!

Please note the full identification number of your hydraulic attachment.

Determine the quantity of individual parts which are required and need to be ordered. The order must indicate the following details:

- full identification code of the hydraulic attachment
- required quantity
- part number
- description

Service, repair and wear part kits

Kit list 1

Mechanical

Housing part 1 3
Housing part 2 5
Cutter jaw 7
Hydraulic cylinder 9
Hydraulic hose connections 11
Tightening torques 13
Dimensions 15

Options / accessories

Hydraulic hoses 16
Optional equipment 19

Service, repair and wear part kits Kit list

NO EXPLODED VIEW
AVAILABLE
FOR THIS BOM

Item	Part No.	Name	Qty	L
KIT	3363118789	Label kit	1	
KIT	3363119442	Blade kit	1	
52	3363119439	Shim set	2	A
53	3363119440	Cutter blade	2	
54	3363118655	Flat head socket bolt	8	
55	3363118656	Guide blade	2	
58	3363118657	Shim set	2	B
59	0211164300	Allen screw, M24 x 120 mm 12.9	4	
60	3363118665	Washer	18	
61	3363118661	Front blade	1	
62	3363118662	Hexagon head bolt	2	
63	0211164200	SCREW	8	
64	0211164500	SCREW	4	
102	3363118726	Nose blade	1	
103	3360203349	Hexagon nut	8	
104	3363118665	Washer	8	
105	3363118729	Allen screw	3	
106	3363118728	Nose blade	1	
107	3363119440	Cutter blade	2	
108	3363118669	Flat head socket bolt	2	
109	3363118671	Flat head socket bolt	5	
111	3363118670	Flat head socket bolt	1	
214	3363118713	Seal kit (Hydraulic cylinder)	1	
231	3363118697	Seal kit	1	C
241	3363118677	Seal kit	1	D

Comments for Page: Kit list

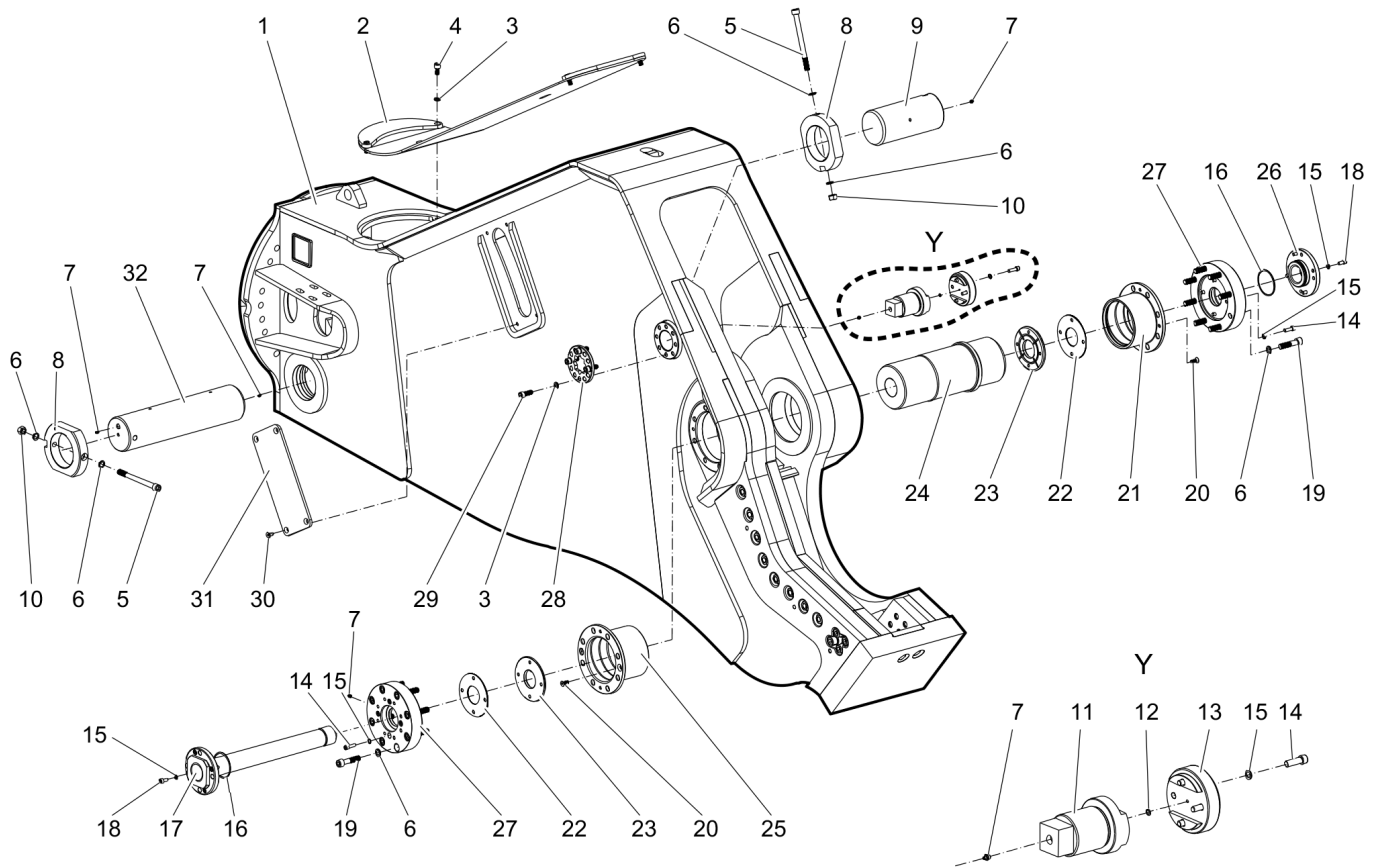
A | for item 53

B | for item 55

C | for item 201

D | for item 204

Mechanical Housing part 1



Item	Part No.	Name	Qty	L
1	3363119421	Housing	1	
2	3363119422	Main cover	1	
3	3361333703	Pair of lock washers	8	
4	3360103766	Allen screw	4	
5	0211196446	Allen screw, M20 x 240 mm 12.9	2	
6	3361850478	Pair of locking rings	20	
7	3363118636	Grease nipple	6	
8	3363118634	Bolt retainer	2	
9	3363118635	Bolt	1	
10	3360203345	Hexagon nut	2	
11	3363118637	Slide screw	1	
12	3363118646	Kantseal	1	
13	3363118638	Slide puck	1	
14	3362328039	Allen screw	12	
15	3361850596	Pair of lock washers	20	
16	3363118640	O-ring	2	
17	3363118639	Tie rod	1	
18	0211140000	Cap screw	8	
19	0211155900	Allen screw, M20 x 90 mm 12.9	16	
20	3363087853	Flat head socket bolt	4	
21	3363118642	Bearing bush	1	
22	3363118643	Shim set (Pivot group)	1	
23	3363118644	Thrust bearing	2	
24		Main bolt	1	A
25	3363118647	Bearing bush	1	
26	3363118648	Nut	1	
27	3363118641	Cap	2	
28	3363118649	Lock	1	
29	3360026641	Allen screw	4	
30	3363091047	Flat head socket bolt	8	
31	3363119437	Side cover	2	
32	3363118651	Bolt	1	

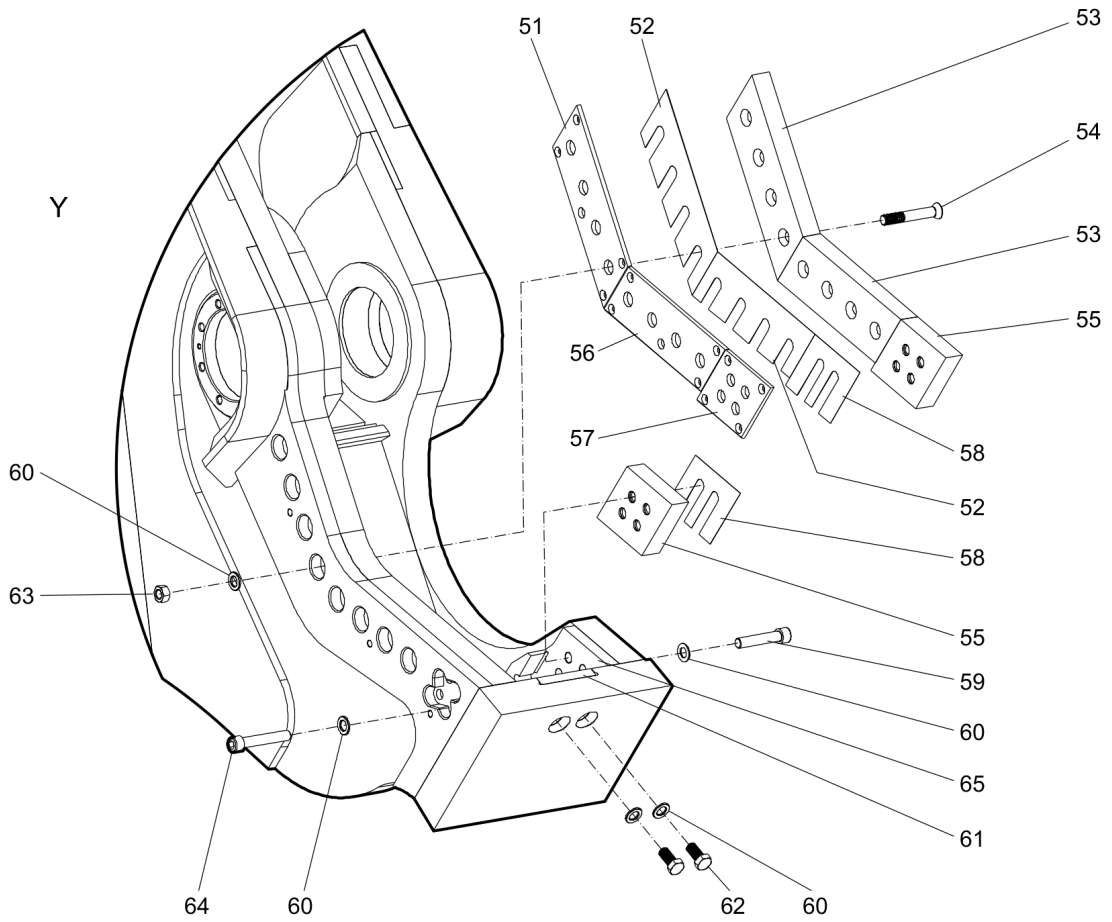
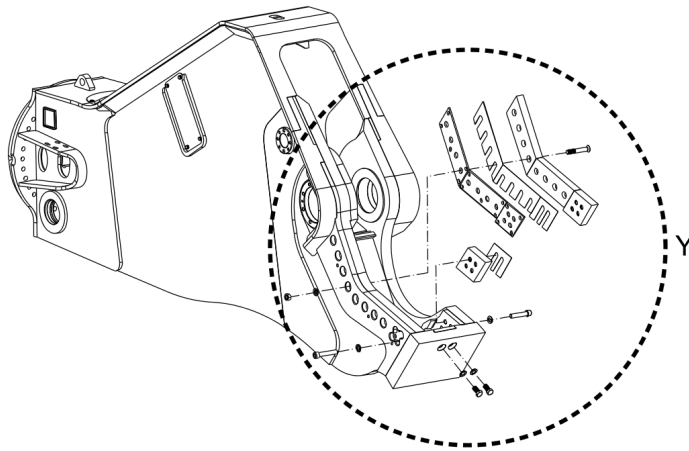
Comments for Page: Housing part 1

A | Not serviceable, consult the authorized Customer Center/Dealer in your area.

Refer to the DocMine web page for most up-to-date information. The printed information might be outdated.

Wed May 23 11:25:07 UTC 2018

Mechanical Housing part 2



Item	Part No.	Name	Qty	L
51	3363119438	Compensation plate	1	C
52	3363119439	Shim set	2	A
53	3363119440	Cutter blade	2	
54	3363118655	Flat head socket bolt	8	
55	3363118656	Guide blade	2	
56	3363119441	Compensation plate	1	C
57	3363118658	Compensation plate	1	C
58	3363118657	Shim set	2	B
59	0211164300	Allen screw, M24 x 120 mm 12.9	4	
60	3363118665	Washer	18	
61	3363118661	Front blade	1	
62	3363118662	Hexagon head bolt	2	
63	3360203349	Hexagon nut	8	
64	0211164500	SCREW	4	
65	3363118663	Guide blade seat	1	

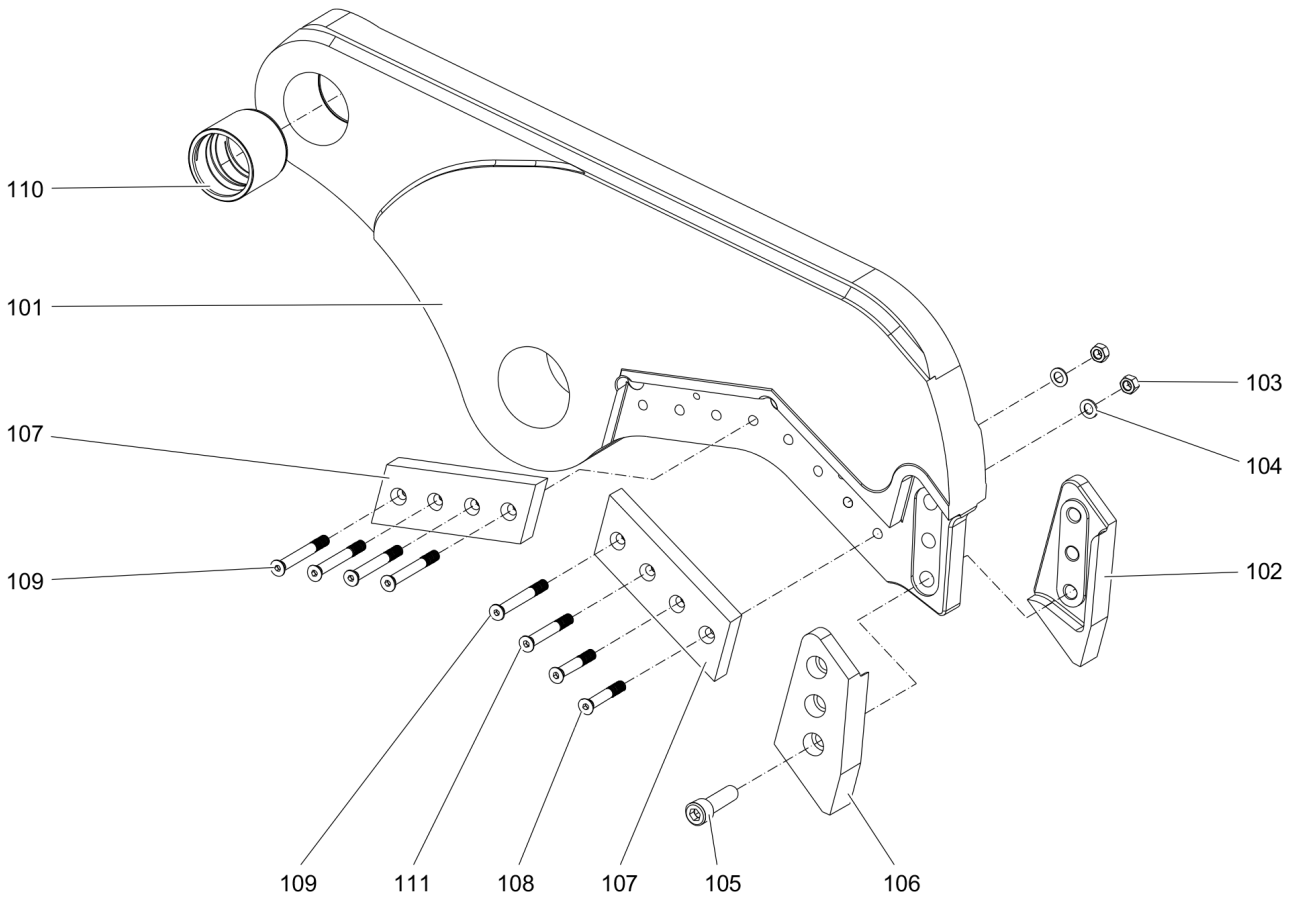
Comments for Page: Housing part 2

A | for item 53

B | for item 55

C | Serial number related, consult the authorized Customer Center/Dealer in your area.

Mechanical Cutter jaw

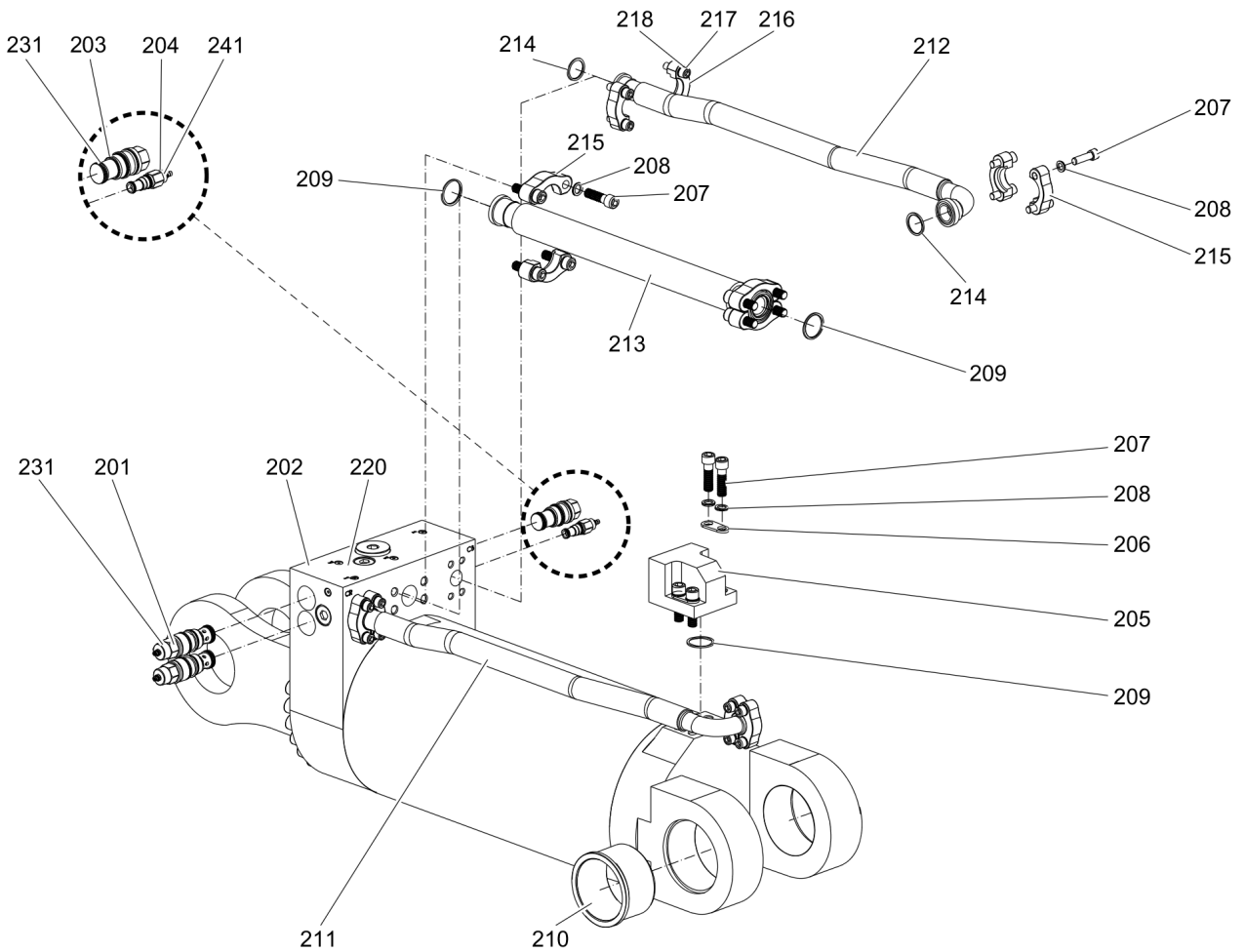


Item	Part No.	Name	Qty	L
101		Cutter jaw	1	A
102	3363118726	Nose blade	1	
103	3360203349	Hexagon nut	8	
104	3363118665	Washer	8	
105	3363118729	Allen screw	3	
106	3363118728	Nose blade	1	
107	3363119440	Cutter blade	2	
108	3363118669	Flat head socket bolt	2	
109	3363118671	Flat head socket bolt	5	
110	3363118672	Bearing bush	1	
111	3363118670	Flat head socket bolt	1	

Comments for Page: Cutter jaw

A | Cutter jaw must be aligned at factory. Consult the authorized Customer Center/Dealer in your area.

Mechanical Hydraulic cylinder



Item	Part No.	Name	Qty	L
201	3363118696	Counterbalance valve	2	
202	3363119453	Hydraulic cylinder	1	
203	3363118699	Check valve	1	
204	3363118700	Relief valve	1	
205	3363118702	Port block	1	
206	3363118703	Support plate	2	
207	0211155500	Allen screw, M20 x 70 mm 12.9	20	
208	3361850748	Pair of lock washers	20	
209	3363118704	Seal	3	
210	3363118705	Glide bush	2	
211	3363119469	Hydraulic hose	1	A
212	3363119454	Hydraulic hose	1	
213	3363119467	Hydraulic hose	1	B
214	3363118709	Seal	4	
215	3363118710	Flange half	4	
216	3363083439	Flange half	8	
217	0211148000	SCREW	8	
218	3361333703	Pair of lock washers	8	
220	3363118713	Seal kit (Hydraulic cylinder)	1	
231	3363118697	Seal kit	1	C
241	3363118677	Seal kit	1	D

Comments for Page: Hydraulic cylinder

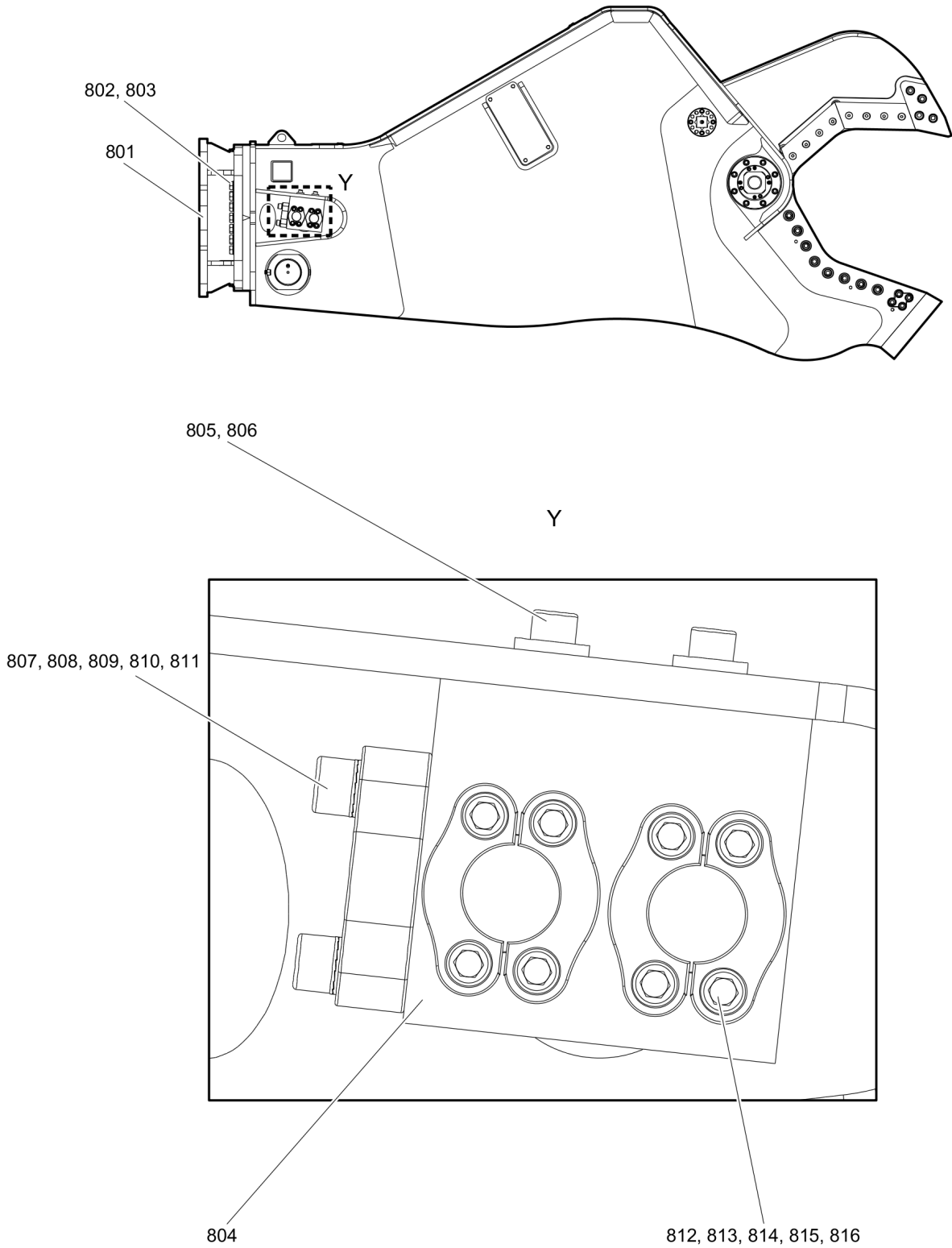
A | CR - Steel cutter jaw close

B | CB - Steel cutter jaw open

C | for item 201

D | for item 204

Mechanical Hydraulic hose connections



Item	Part No.	Name	Qty	L
801		Intermediate plate	1	
802	3363119070	Washer	28	
803	3363119458	Hexagon head screw	28	
804	3363119460	Portblock	2	
805	0300027622	PLAIN WASHER	8	
806	3360103768	Allen screw	8	
807	3363119465	Blind flange	2	
808	3363119466	Flange half	4	
809	3363118704	Seal	2	
810	0211155500	Allen screw, M20 x 70 mm 12.9	8	
811	3361850748	Pair of lock washers	8	
812	3363119468	Blind flange	4	
813	3363083439	Flange half	8	
814	3363118709	Seal	4	
815	3361333703	Pair of lock washers	16	
816	0211148000	SCREW	16	

Mechanical Tightening torques

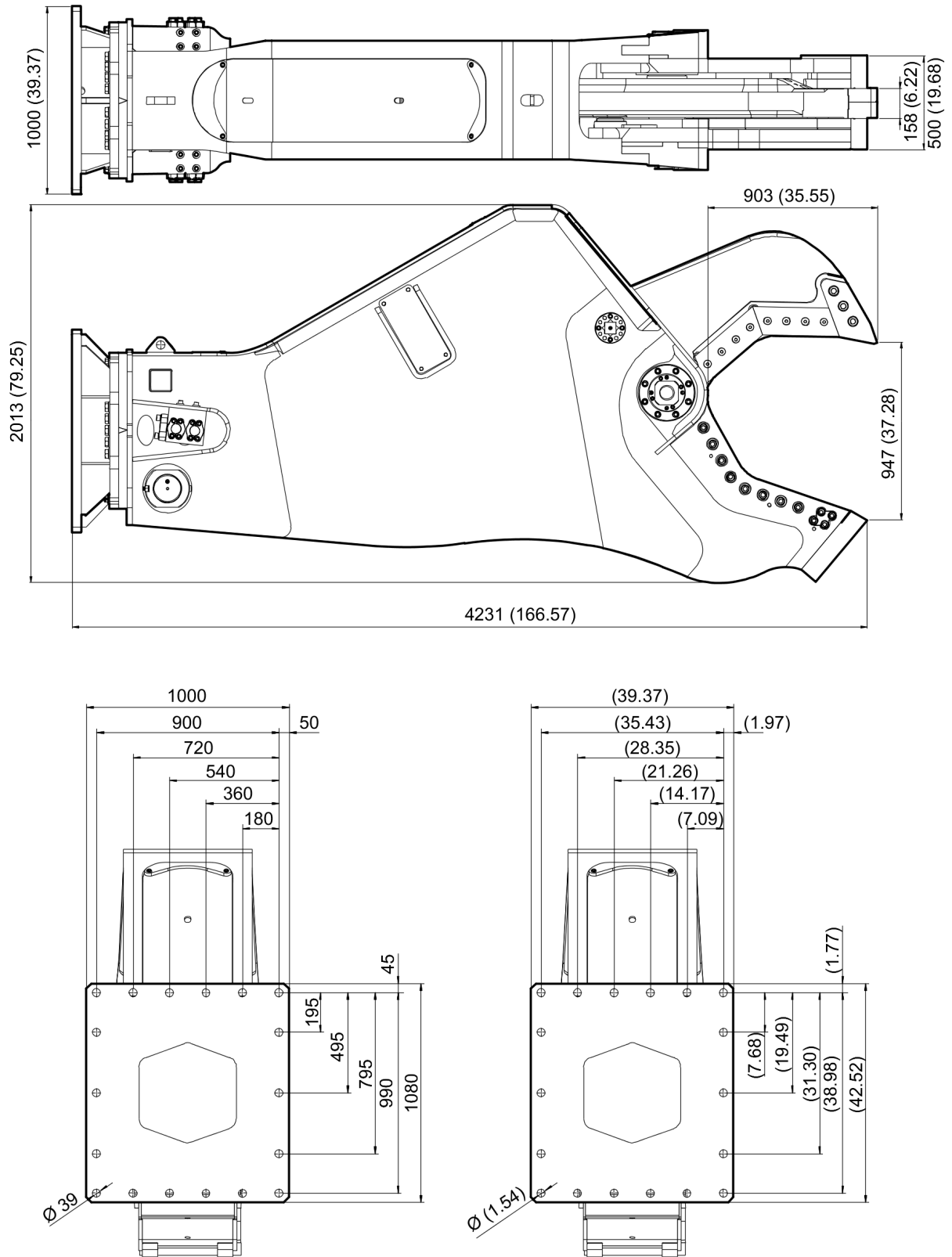
NO EXPLODED VIEW
AVAILABLE
FOR THIS BOM

Item	Part No.	Name	Qty	L
4	-	Allen screw - 215 Nm (159 ft lbf)		
5	-	Allen screw - 720 Nm (531 ft lbf)		
7	-	Grease nipple - 18 Nm (13 ft lbf)		
14	-	Allen screw - 150 Nm (111 ft lbf)		
18	-	Screw - 150 Nm (111 ft lbf)		
19	-	Allen screw - 720 Nm (531 ft lbf)		
20	-	Flat head socket bolt - 130 Nm (96 ft lbf)		
29	-	Allen screw - 215 Nm (159 ft lbf)		
30	-	Flat head socket bolt - 87 Nm (64 ft lbf)		
54	-	Flat head socket bolt - 1060 Nm (782 ft lbf)		
59	-	Allen screw - 1240 Nm (915 ft-lbf)		
62	-	Hexagon head bolt - 1240 Nm (915 ft-lbf)		
63	-	Hexagon nut - 1060 Nm (782 ft lbf)		
64	-	Allen screw - 1240 Nm (915 ft-lbf)		
103	-	Hexagon nut - 1060 Nm (782 ft lbf)		
105	-	Allen screw - 3737 Nm (2756 ft lbf)		A
108	-	Flat head socket bolt - 1060 Nm (782 ft lbf)		
109	-	Flat head socket bolt - 1060 Nm (782 ft lbf)		
111	-	Flat head socket bolt - 1060 Nm (782 ft lbf)		
207	-	Allen screw - 720 Nm (531 ft lbf)		
217	-	Allen screw - 370 Nm (273 ft lbf)		
803	-	Hexagon head screw - 2100 Nm (1549 ft lbf)		
806	-	Allen screw - 215 Nm (159 ft lbf)		
810	-	Allen screw - 720 Nm (531 ft lbf)		
816	-	Allen screw - 370 Nm (273 ft lbf)		

Comments for Page: Tightening torques

A | Recommended to use copper grease

Mechanical Dimensions



Refer to the DocMine web page for most up-to-date information. The printed information might be outdated.
Wed May 23 11:25:10 UTC 2018

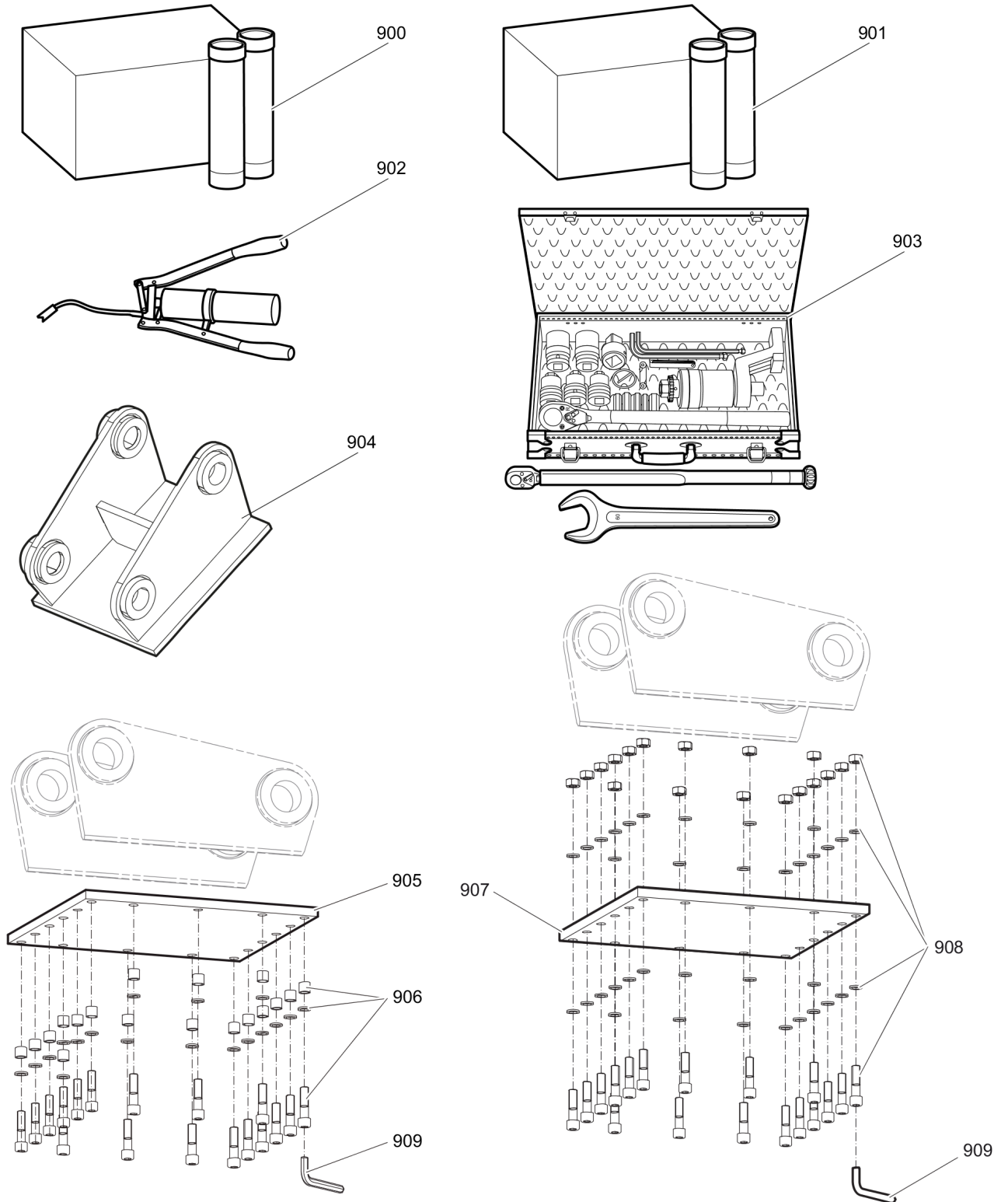
This page intentionally left blank

Options / accessories Hydraulic hoses

NO EXPLODED VIEW
AVAILABLE
FOR THIS BOM

Item	Part No.	Name	Qty	L
-	3363118842	Hydraulic Hose, I.D. 38 (1.50 in.) flange SAE 45° 1 1/2 in. - 6000 PSI, , 1 7/8 in. JIC, length 2800 mm (110 in.)	2	

Options / accessories Optional equipment



Refer to the DocMine web page for most up-to-date information. The printed information might be outdated.
Wed May 23 11:25:11 UTC 2018

Item	Part No.	Name	Qty	L
900	3363094914	Cutter grease cartridge, 12 x 400 g (0.88 lbs)	1	
901	4812037402	Grease / 12 cartridges / 12 Kart.	1	A
902	0909107100	LUBRICAT.GUN	1	
903	3363120977	Maintenance box	1	
904		Adapter plate matching the carrier. Consult the authorized Customer Center/Dealer in your area.	1	
905	3363104609	Base plate with threaded inserts	1	
906	3363103061	Bolt kit	1	
907	3363102877	Base plate with through borings	1	
908	3363094578	Bolt kit	1	
909	3360103802	Allen screw	1	

Comments for Page: Optional equipment

A | PARLUBE, 12 x 400 g cartridges, fully synthetic, for temperatures up to 200 °C / 392 °F

Any unauthorized use or copying of the contents or any part thereof is prohibited.
This applies in particular to trademarks, model denominations, part numbers, and drawings.