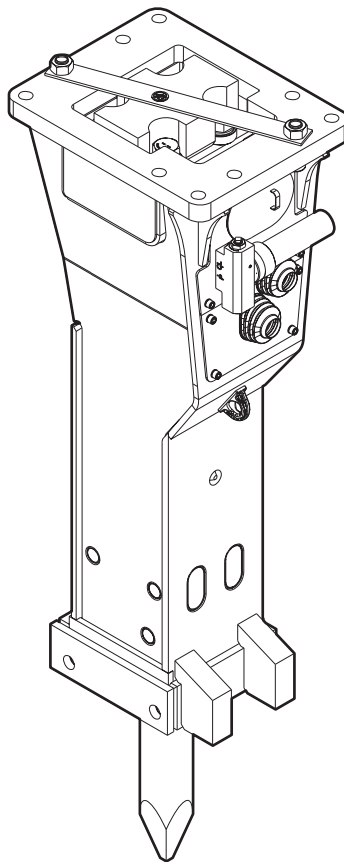


MB 1200 DP

Spare parts list Hydraulic breakers

MB 1200 DP s/n DEQ201468 -



General information

This spare parts list applies to the following:

| Part number | Description |
|-------------|--|
| 3363120401 | Hydraulic breaker MB 1200 DP |
| 3363124766 | Hydraulic breaker MB 1200 DP with HATCON |

Use only authorized parts. Any damage or malfunction caused by the use of unauthorized parts is not covered by Warranty or Product Liability. Any unauthorized use or copying of the contents or any part thereof is prohibited. This applies in particular to trademarks, model denominations, part numbers, and drawings.

Instructions for use

This spare parts list contains no safety regulations and is merely intended to assist in the ordering of spare parts.

For information about operating, servicing, or repairing, the relevant Safety and operating instructions must be consulted at all costs.

Please observe the safety instructions listed in the relevant Safety and operating instructions!

Instructions for ordering

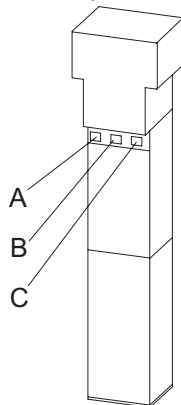
It is essential to indicate the serial number of the hydraulic attachment when ordering spare parts!

Please note the full identification number of your hydraulic attachment.

The code can be found on the cylinder.

Determine the quantity of individual parts which are required and need to be ordered. The order must indicate the following details:

- full identification code of the hydraulic attachment
- required quantity
- part number
- description



- A. Cylinder number
- B. Type
- C. Serial number

Service, repair and wear part kits

Label kit 1
Kit list 3

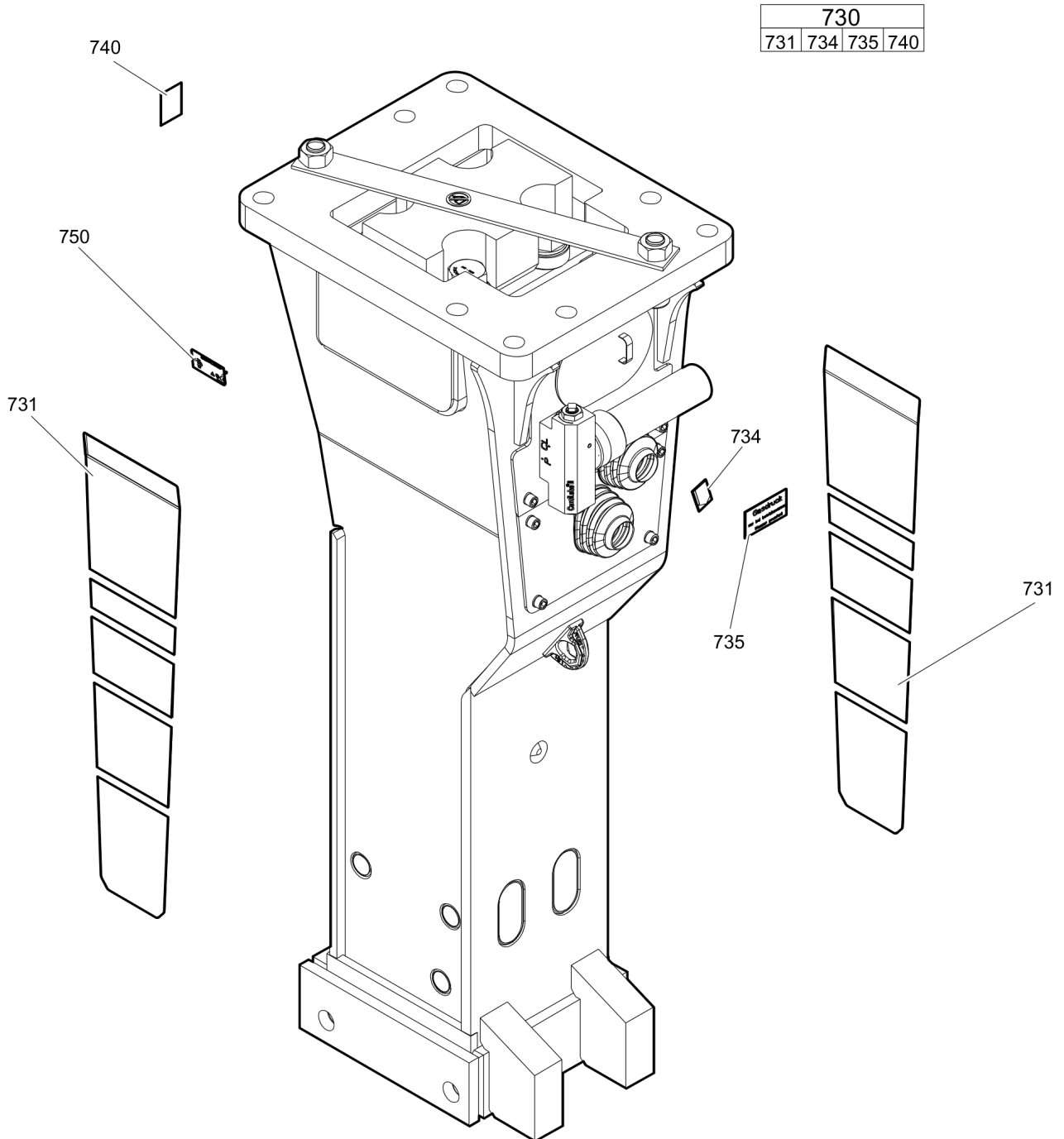
Mechanical

Hydraulic breaker 6
Percussion unit part 1: cylinder cover 10
Percussion unit part 2: cylinder 13
Percussion unit part 3: lower breaker part 15
Connecting kit for automatic lubrication system 17
HATCON 19
StartSelect - AutoStart or AutoStop 21
Optional parts 23
Tightening torques 25
Dimensions 28

Options / accessories

Hydraulic hoses 30
Optional equipment 33
Working tools ClassicLine 35
Working tools ProLine 37

Service, repair and wear part kits Label kit



Refer to the DocMine web page for most up-to-date information. The printed information might be outdated.

Wed Jan 06 12:52:35 UTC 2021

| Item | Part No. | Name | Qty | L |
|--------------|------------|--|-----|---|
| 730(731-740) | 3363121164 | Label kit | 1 | |
| 731 | | Label "MB 1200 Epiroc" | 2 | |
| 734 | | Label - Lubricating symbol | 1 | |
| 735 | | Label - Gas pressure | 2 | |
| 740 | | Sound power label | 1 | |
| 750 | | Name plate - Consult the authorized Customer Center/Dealer in your area. | 1 | |

Service, repair and wear part kits Kit list

NO EXPLODED VIEW
AVAILABLE
FOR THIS BOM

| Item | Part No. | Name | Qty | L |
|------|------------|--|-----|---|
| KIT | 3363116188 | Seal kit | 1 | |
| 120 | 3363066653 | O-ring | 1 | |
| 122 | 3363066654 | Seal | 1 | |
| 123 | 3363034029 | Seal | 2 | |
| 124 | 3363034033 | O-ring | 2 | |
| 182 | 3360478426 | Threaded plug | 1 | |
| 183 | 3360175125 | O-ring | 1 | |
| 303 | 3360314495 | O-ring | 2 | |
| 305 | 3363066656 | Wiper | 1 | |
| 315 | 3360478171 | O-ring | 1 | |
| 325 | 3363110075 | Seal | 2 | |
| 396 | 3360314551 | O-ring | 2 | |
| 602 | 3363083245 | O-ring | 1 | |
| KIT | 3363091732 | Seal kit for swivel joint for automatic lubrication system | 1 | |
| KIT | 3363121163 | Plastic parts kit | 1 | |
| 2 | 3363033957 | Elastic pad | 1 | |
| 3 | 3361847685 | Shock absorber | 2 | |
| 4 | 3363118296 | Guide plate | 2 | |
| 6 | 3363115969 | Guide plate | 1 | |
| 7 | 3363114321 | Guide plate | 2 | |
| KIT | 3363094349 | Tensioning bolt kit | 1 | A |
| 191 | | Tensioning bolt | 2 | |
| 192 | 3363093647 | Washer | 2 | |
| 487 | 3363031774 | Threaded insert | 2 | |
| KIT | 3363094385 | DustProtector kit | 1 | |
| 11 | 3363070660 | Floating ring (tribolid) | 1 | |
| 12 | 3363067969 | Counter ring | 1 | |
| 13 | 3363067973 | Guide ring | 1 | |
| 14 | 3363069769 | Bolt | 2 | |
| 15 | 3361854363 | Locking bush | 2 | |
| KIT | 3363121166 | Noise protection kit | 1 | |
| 31 | 3362267897 | Plug | 10 | |
| 32 | 3363086011 | Plug | 2 | |
| 35 | 3363118186 | Bellows | 2 | |
| 36 | 3363092697 | Cover | 1 | |
| 39 | 3362267893 | Plug | 1 | |
| KIT | 3363094370 | Lower breaker part kit (steel) for DustProtector version | 1 | |

Refer to the DocMine web page for most up-to-date information. The printed information might be outdated.

Wed Jan 06 12:52:35 UTC 2021

| Item | Part No. | Name | Qty | L |
|------|------------|---|-----|---|
| 18 | 3363088663 | Base for wiper | 1 | |
| 19 | 3363066569 | Wiper | 1 | |
| 401 | 3360993029 | Retainer bar | 2 | |
| 402 | 3362261850 | Bolt | 2 | |
| 403 | 3362262925 | Plug | 4 | |
| 482 | 3363069073 | Impact ring | 1 | |
| 483 | 3363069353 | Wear bush | 1 | |
| 484 | 3363088669 | Wear bush (steel) | 1 | |
| 485 | 3362261850 | Bolt | 2 | |
| 486 | 3361854363 | Locking bush | 4 | |
| - | 3315038100 | Bio chisel paste cartridge, 12 x 400 g (0.88 lbs) | 1 | |
| - | 3363068255 | Test gauge lower wear bush | 1 | |

Comments for Page: Kit list

A | You need Anti-Seize agent when fitting tensioning bolts. You have to order it separately.

Anti-seize 120 g, part number 3363094300

Or buy it locally according to the following specification:

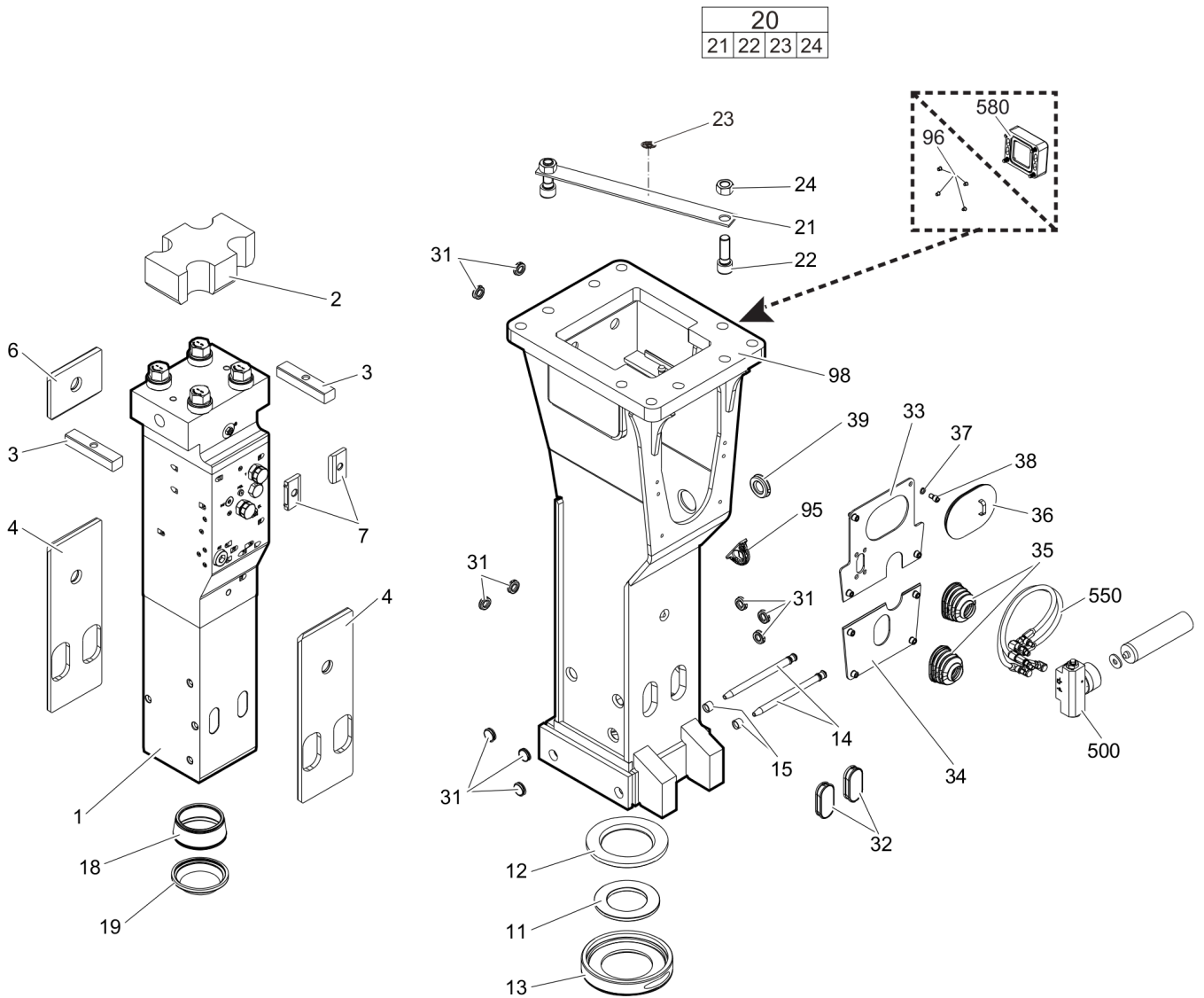
coefficient of friction 0.14 μ

coefficient of friction thread 0.13 μ

coefficient of friction on upside down 0.15 μ

This page intentionally left blank

Mechanical Hydraulic breaker



| Item | Part No. | Name | Qty | L |
|-----------|------------|---|-----|---|
| 1 | | Percussion unit | 1 | A |
| 2 | 3363033957 | Elastic pad | 1 | |
| 3 | 3361847685 | Shock absorber | 2 | |
| 4 | 3363118296 | Guide plate | 2 | |
| 6 | 3363115969 | Guide plate | 1 | |
| 7 | 3363114321 | Guide plate | 2 | |
| 11 | 3363070660 | Floating ring (tribolid) | 1 | B |
| 12 | 3363067969 | Counter ring | 1 | |
| 13 | 3363067973 | Guide ring | 1 | |
| 14 | 3363069769 | Bolt | 2 | |
| 15 | 3361854363 | Locking bush | 2 | |
| 18 | 3363088663 | Base for wiper | 1 | |
| 19 | 3363066569 | Wiper | 1 | |
| 20(21-24) | 3363083416 | Transport safety device complete | 1 | |
| 21 | | Transport safety device | 1 | |
| 22 | 3360026883 | Allen screw | 2 | |
| 23 | 3363091872 | Label transport safety device | 1 | |
| 24 | 3360103254 | Nut | 2 | |
| 31 | 3362267897 | Plug | 10 | |
| 32 | 3363086011 | Plug | 2 | |
| 33 | 3363120018 | Plate | 1 | |
| 34 | 3363120019 | Plate | 1 | |
| 35 | 3363118186 | Bellows | 2 | |
| 36 | 3363092697 | Cover | 1 | |
| 37 | 3361850596 | Pair of lock washers | 8 | |
| 38 | 3362328480 | Allen screw | 8 | |
| 39 | 3362267893 | Plug | 1 | |
| 95 | 3363111993 | Lifting eye | 1 | C |
| 96 | 3315439145 | Protective plug HATCON | 4 | D |
| 98 | 3363120369 | Breaker box | 1 | E |
| 500 | 3363067123 | Automatic lubrication system | 1 | F |
| 550 | | Connecting kit for automatic lubrication system | 1 | G |
| 580 | | HATCON | 1 | H |

Comments for Page: Hydraulic breaker

A | see separate chapter

Note: When ordering a percussion unit for DustProtector version it is imperative to order additionally the base for wiper (item 18) and the wiper (item

Refer to the DocMine web page for most up-to-date information. The printed information might be outdated.

Wed Jan 06 12:52:37 UTC 2021

19).

B | steel see chapter Optional parts

C | professional welding process necessary

D | only for hydraulic breakers without HATCON

E | with item 95 and 96

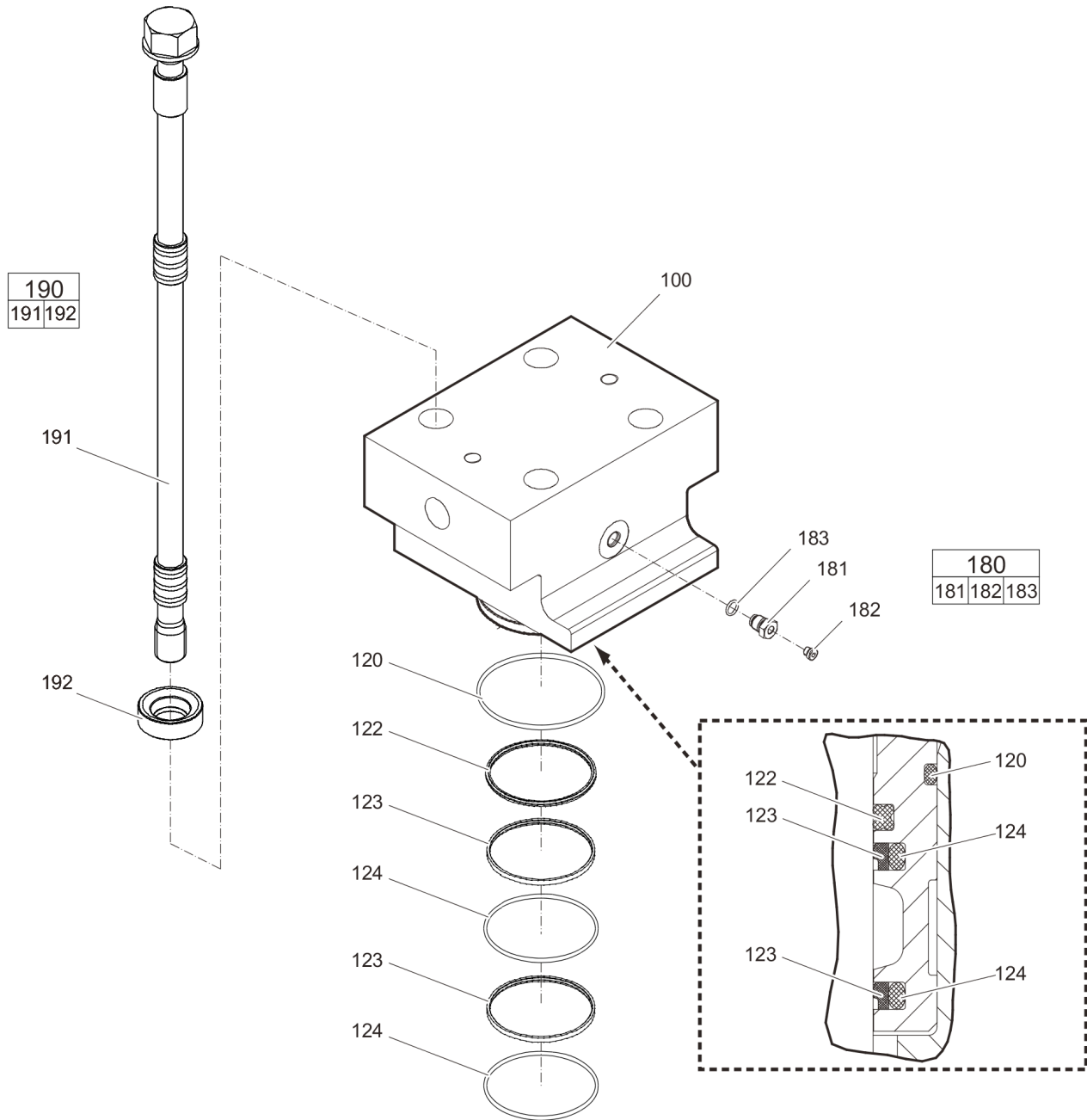
F | HD version see chapter Optional parts

G | see separate chapter

H | only for hydraulic breakers with HATCON / see separate chapter

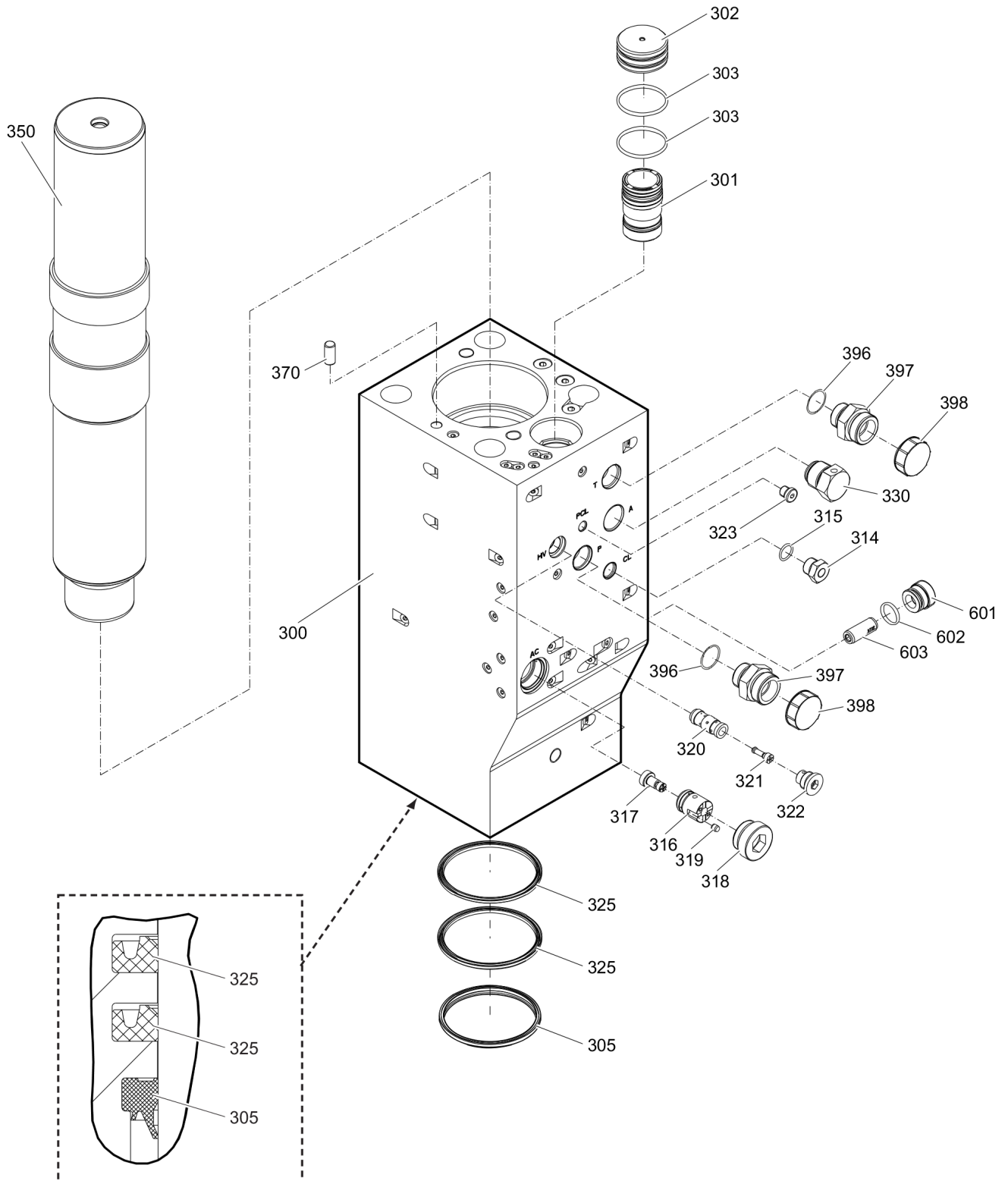
This page intentionally left blank

Mechanical Percussion unit part 1: cylinder cover



| Item | Part No. | Name | Qty | L |
|--------------|------------|--------------------------|-----|---|
| 100 | 3363033753 | Cylinder cover | 1 | |
| 120 | 3363066653 | O-ring | 1 | |
| 122 | 3363066654 | Seal | 1 | |
| 123 | 3363034029 | Seal | 2 | |
| 124 | 3363034033 | O-ring | 2 | |
| 180(181-183) | 3363087286 | Filling valve complete | 1 | |
| 181 | | Filling valve | 1 | |
| 182 | 3360478426 | Threaded plug | 1 | |
| 183 | 3360175125 | O-ring | 1 | |
| 190(191-192) | 3363087908 | Tensioning bolt complete | 4 | |
| 191 | | Tensioning bolt | 1 | |
| 192 | 3363093647 | Washer | 1 | |

Mechanical Percussion unit part 2: cylinder



| Item | Part No. | Name | Qty | L |
|------|------------|--------------------|-----|---|
| 300 | 3363119814 | Cylinder | 1 | A |
| 301 | 3363033751 | Main control valve | 1 | |
| 302 | 3363119841 | Cover | 1 | |
| 303 | 3360314495 | O-ring | 2 | |
| 305 | 3363066656 | Wiper | 1 | |
| 314 | 3361854657 | Connecting screw | 1 | |
| 315 | 3360478171 | O-ring | 1 | |
| 316 | 3363067803 | Valve bushing | 1 | B |
| 317 | 3363067805 | Valve piston | 1 | B |
| 318 | 3363069501 | Threaded plug | 1 | |
| 319 | 3363066197 | Pin | 1 | B |
| 320 | 3363033059 | Valve housing | 1 | B |
| 321 | 3363105305 | Valve piston | 1 | B |
| 322 | 3363033749 | Threaded plug | 1 | |
| 323 | 3363066963 | Plug, M14 x 1.5 mm | 1 | |
| 325 | 3363110075 | Seal | 2 | |
| 330 | 3361854511 | Non-return valve | 1 | |
| 350 | 3363086279 | Percussion piston | 1 | |
| 370 | 3360106784 | Parallel pin 14X28 | 1 | |
| 396 | 3360314551 | O-ring | 2 | |
| 397 | 3360995665 | Fitting | 2 | C |
| 398 | 3361353488 | Protective cap | 2 | |
| 601 | 3363082593 | Plug | 1 | |
| 602 | 3363083245 | O-ring | 1 | |
| 603 | 3363082505 | Valve | 1 | D |

Comments for Page: Percussion unit part 2: cylinder

(L)OCAL REMARKS

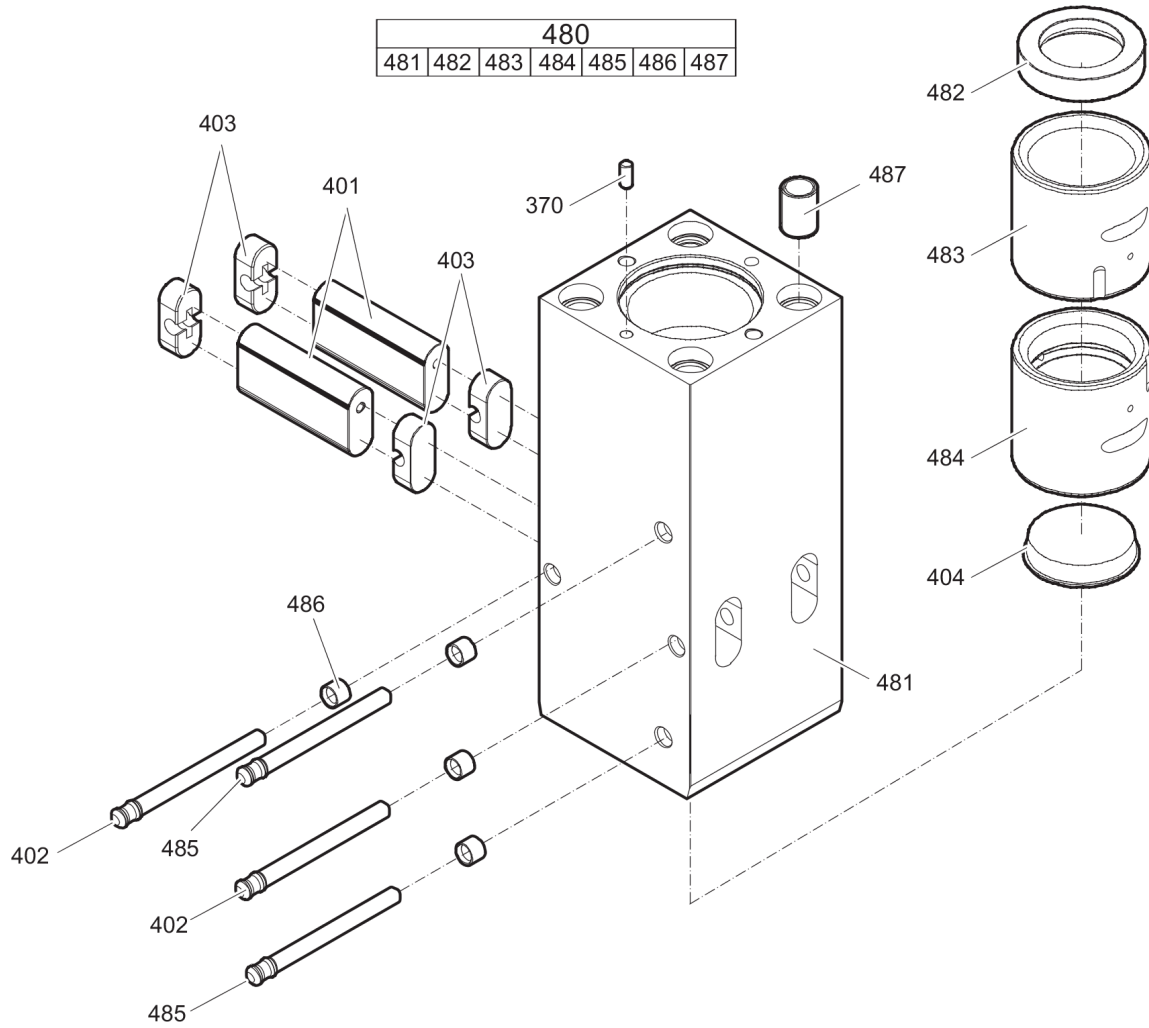
A | with items 601 - 603

B | AutoControl

C | with item 396

D | StartSelect

Mechanical Percussion unit part 3: lower breaker part



| Item | Part No. | Name | Qty | L |
|--------------|------------|-----------------------------|-----|---|
| 370 | 3360106784 | Parallel pin 14X28 | 1 | |
| 401 | 3360993029 | Retainer bar | 2 | |
| 402 | 3362261850 | Bolt | 2 | |
| 403 | 3362262925 | Plug | 4 | |
| 404 | 3363031715 | Protective cap | 1 | |
| 480(481-487) | 3363089505 | Lower breaker part complete | 1 | A |
| 481 | | Lower breaker part | 1 | |
| 482 | 3363069073 | Impact ring | 1 | |
| 483 | 3363069353 | Wear bush | 1 | |
| 484 | 3363088669 | Wear bush (steel) | 1 | B |
| 485 | 3362261850 | Bolt | 2 | |
| 486 | 3361854363 | Locking bush | 4 | |
| 487 | 3363031774 | Threaded insert | 4 | |

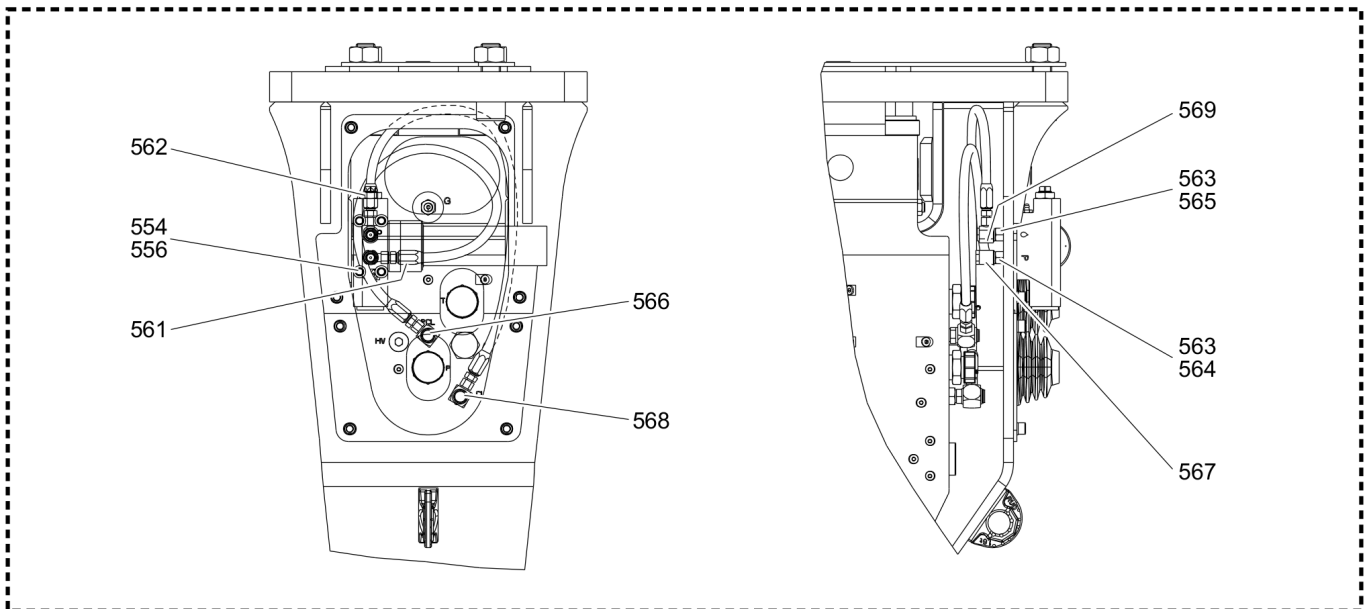
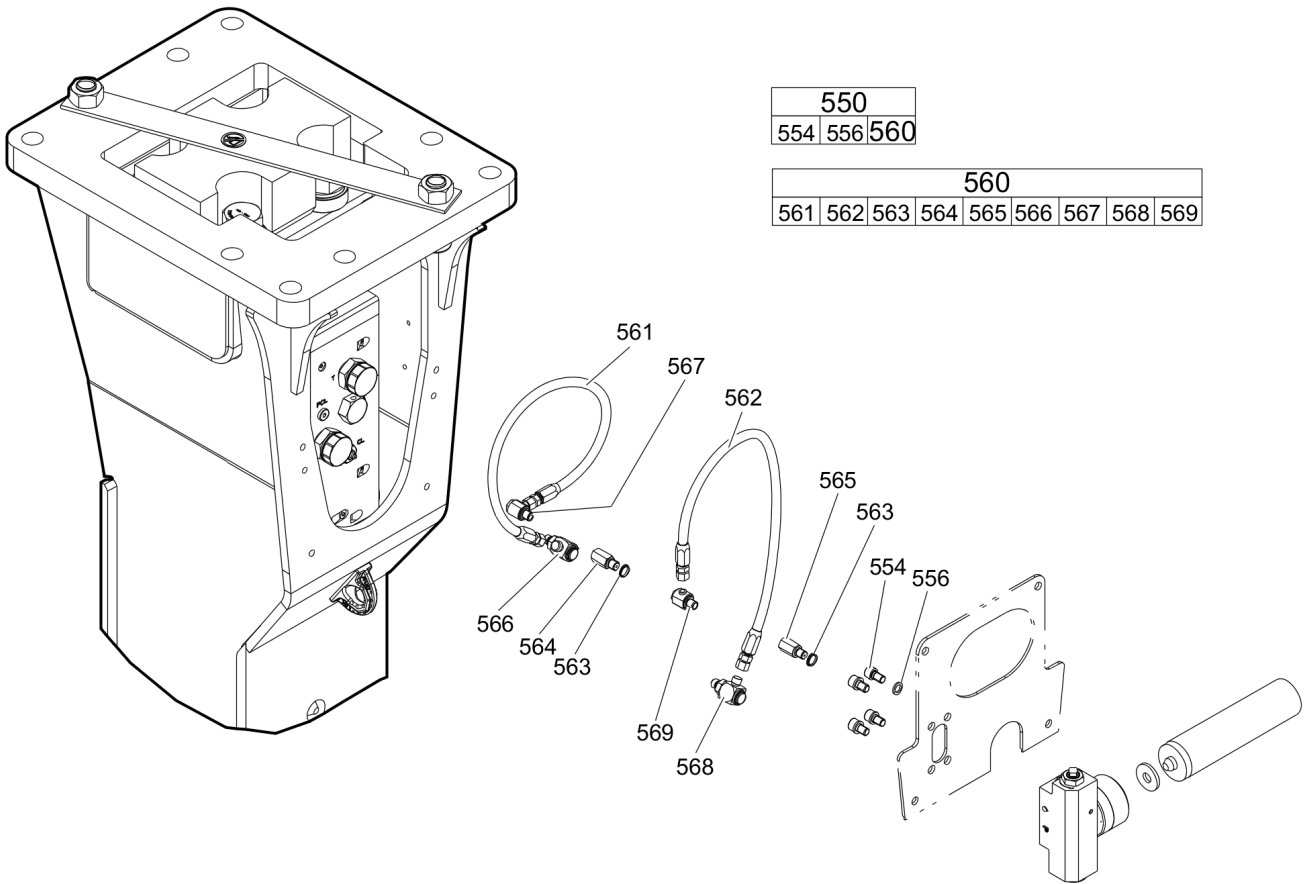
Comments for Page: Percussion unit part 3: lower breaker part

(L)OCAL REMARKS

A | Note: When ordering a lower breaker part for DustProtector version it is imperative to order additionally the base for wiper (item 18) and the wiper (item 19).

B | bronze see chapter Optional parts

Mechanical Connecting kit for automatic lubrication system



Refer to the DocMine web page for most up-to-date information. The printed information might be outdated.

Wed Jan 06 12:52:38 UTC 2021

| Item | Part No. | Name | Qty | L |
|--------------|------------|---|-----|---|
| 550(551-560) | | Connecting kit for automatic lubrication system | 1 | |
| 554 | 3362328480 | Allen screw | 4 | A |
| 556 | 3361850596 | Pair of lock washers | 4 | |
| 560(561-569) | 3363121796 | Connecting kit for automatic lubrication system | 1 | B |
| 561 | 3363087394 | Hydraulic hose | 1 | C |
| 562 | 3363087393 | Hydraulic hose | 1 | D |
| 563 | 3363066951 | Seal | 2 | |
| 564 | 3363068745 | Adapter | 1 | A |
| 565 | 3363066887 | Adapter | 1 | A |
| 566 | 3363087185 | Fitting | 1 | A |
| 567 | 3363066234 | Fitting | 1 | A |
| 568 | 3363087186 | Fitting | 1 | A |
| 569 | 3363066233 | Fitting | 1 | A |

Comments for Page: Connecting kit for automatic lubrication system

(L)OCAL REMARKS

A | secure with Loctite 243

B | without fastening elements

C | Oil line

secure with Loctite 243

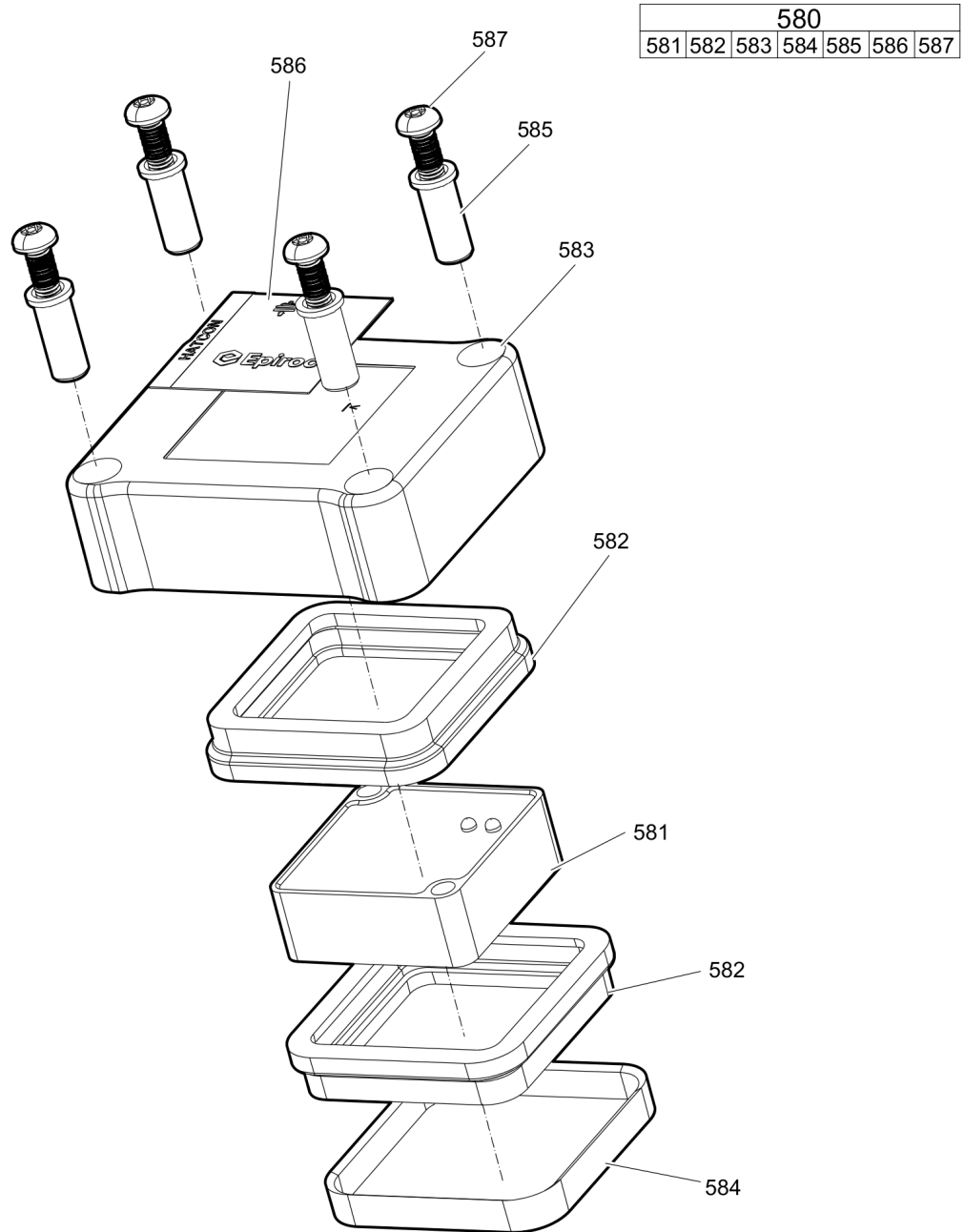
Route the hydraulic hoses as shown on the drawing. It must be ensured that the hydraulic hoses can move freely and are not in contact at any point.

D | Grease line

secure with Loctite 243

Route the hydraulic hoses as shown on the drawing. It must be ensured that the hydraulic hoses can move freely and are not in contact at any point.

Mechanical HATCON

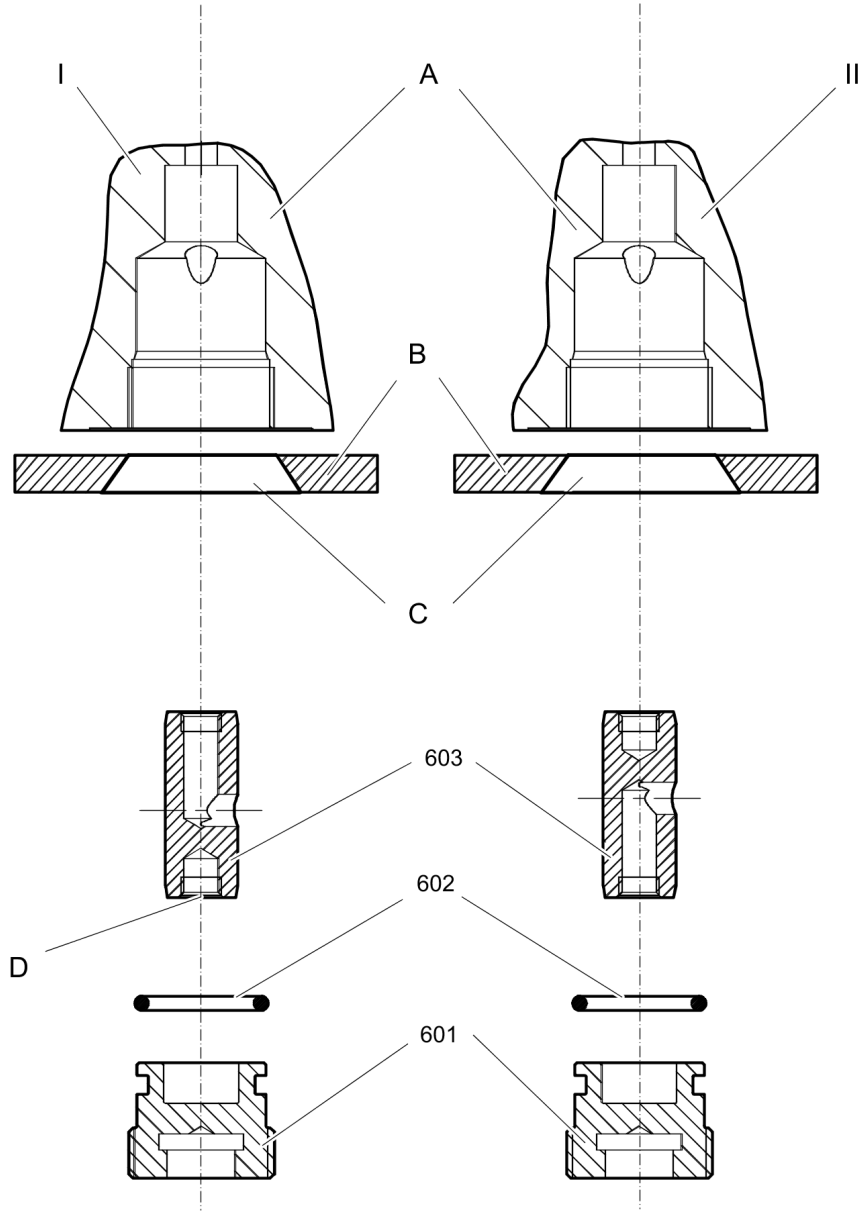


| Item | Part No. | Name | Qty | L |
|--------------|------------|------------------------|-----|---|
| 580(581-587) | | HATCON | 1 | A |
| 581 | | Tracking module HATCON | 1 | |
| 582 | 3315439130 | Damper HATCON | 2 | |
| 583 | 3315439110 | Housing type 1 HATCON | 1 | |
| 584 | 3315439140 | Lock ring HATCON | 1 | |
| 585 | 3315439120 | Sleeve HATCON | 4 | |
| 586 | 3315439100 | Product label HATCON | 1 | |
| 587 | 3315442600 | Screw HATCON | 4 | |

Comments for Page: HATCON

A | part number see chapter "Optional equipment"

Mechanical StartSelect - AutoStart or AutoStop



| Item | Part No. | Name | Qty | L |
|------|------------|--------|-----|---|
| 601 | 3363082593 | Plug | 1 | |
| 602 | 3363083245 | O-ring | 1 | |
| 603 | 3363082505 | Valve | 1 | A |

Comments for Page: StartSelect - AutoStart or AutoStop

I = AutoStop setting

II = AutoStart setting (standard setting on delivery)

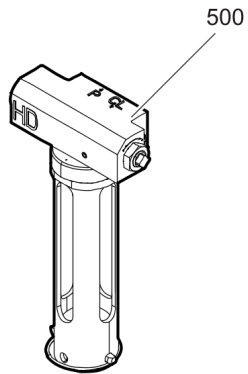
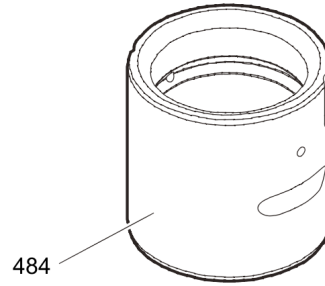
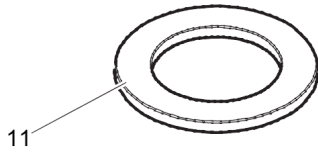
- A. Port bore in cylinder
- B. Wall of breaker box
- C. Plug of breaker box
- D. M 10 thread (both ends) for mounting

The position of the StartSelect unit is shown on the percussion unit illustrations.

(L)OCAL REMARKS

A | StartSelect

Mechanical Optional parts



| Item | Part No. | Name | Qty | L |
|------|------------|---------------------------------|-----|---|
| 11 | 3363067971 | Floating ring (steel) | 1 | |
| 484 | 3363088665 | Wear bush (bronze) | 1 | |
| 500 | 3363117931 | Automatic lubrication system HD | 1 | |

Mechanical Tightening torques

NO EXPLODED VIEW
AVAILABLE
FOR THIS BOM

| Item | Part No. | Name | Qty | L |
|------|----------|--|-----|---|
| 22 | - | Allen screw - 240 Nm (177 ft lbf) | - | A |
| 24 | - | Nut - 240 Nm (177 ft lbf) | - | A |
| 38 | - | Allen screw 85 Nm (63 ft lbf) | - | B |
| 181 | - | Filling valve - 130 Nm (96 ft lbf) | - | C |
| 182 | - | Threaded plug - 20 Nm (15 ft lbf) | - | D |
| 191 | - | Tensioning bolt - | - | E |
| 314 | - | Threaded plug - 300 Nm (221 ft lbf) | - | F |
| 318 | - | Threaded plug - 350 Nm (258 ft lbf) | - | G |
| 322 | - | Threaded plug - 100 Nm (74 ft lbf) | - | H |
| 330 | - | Non-return valve - 200 Nm (148 ft lbf) | - | I |
| 554 | - | Allen screw - 85 Nm (63 ft lbf) | - | J |
| 561 | - | Hydraulic hose oil line - 42 Nm (31 ft lbf) | - | K |
| 562 | - | Hydraulic hose grease line - 16 Nm (12 ft lbf) | - | L |
| 564 | - | Adapter - 55 Nm (41 ft lbf) | - | K |
| 565 | - | Adapter - 45 Nm (33 ft lbf) | - | K |
| 566 | - | Fitting - 60 Nm (44 ft lbf) | - | M |
| 567 | - | Fitting - 55 Nm (41 ft lbf) | - | N |
| 568 | - | Fitting - 50 Nm (37 ft lbf) | - | O |
| 569 | - | Fitting - 45 Nm (33 ft lbf) | - | P |
| 587 | - | Screw HATCON - 22 Nm (16 ft lbf) | - | Q |
| 601 | - | Plug - 200 Nm (148 ft lbf) | - | R |

Comments for Page: Tightening torques

(L)OCAL REMARKS

C | Socket spanner size 22

D | Allen key size 5

E | Torque wrench or Power wrench size 55

1. Pretighten the tensioning bolts to 500 Nm (369 ft lbf), proceeding in a crosswise fashion,
2. then tighten each tensioning bolt through 120° (2 sides of hexagonal head) in a crosswise fashion,
3. finally tighten each tensioning bolt again through 120° (2 sides of hexagonal head) in a crosswise fashion.

F | Allen key size 22

G | Allen key size 24

H | Allen key size 12

I | Socket spanner size 41

J | Allen key size 10

K | Open-ended wrench size 19

L | Open-ended wrench size 17

Refer to the DocMine web page for most up-to-date information. The printed information might be outdated.

Wed Jan 06 12:52:42 UTC 2021

M | Open-ended wrench size 19, 22, 27

N | Open-ended wrench size 19, 22

O | Open-ended wrench size 17, 22, 27

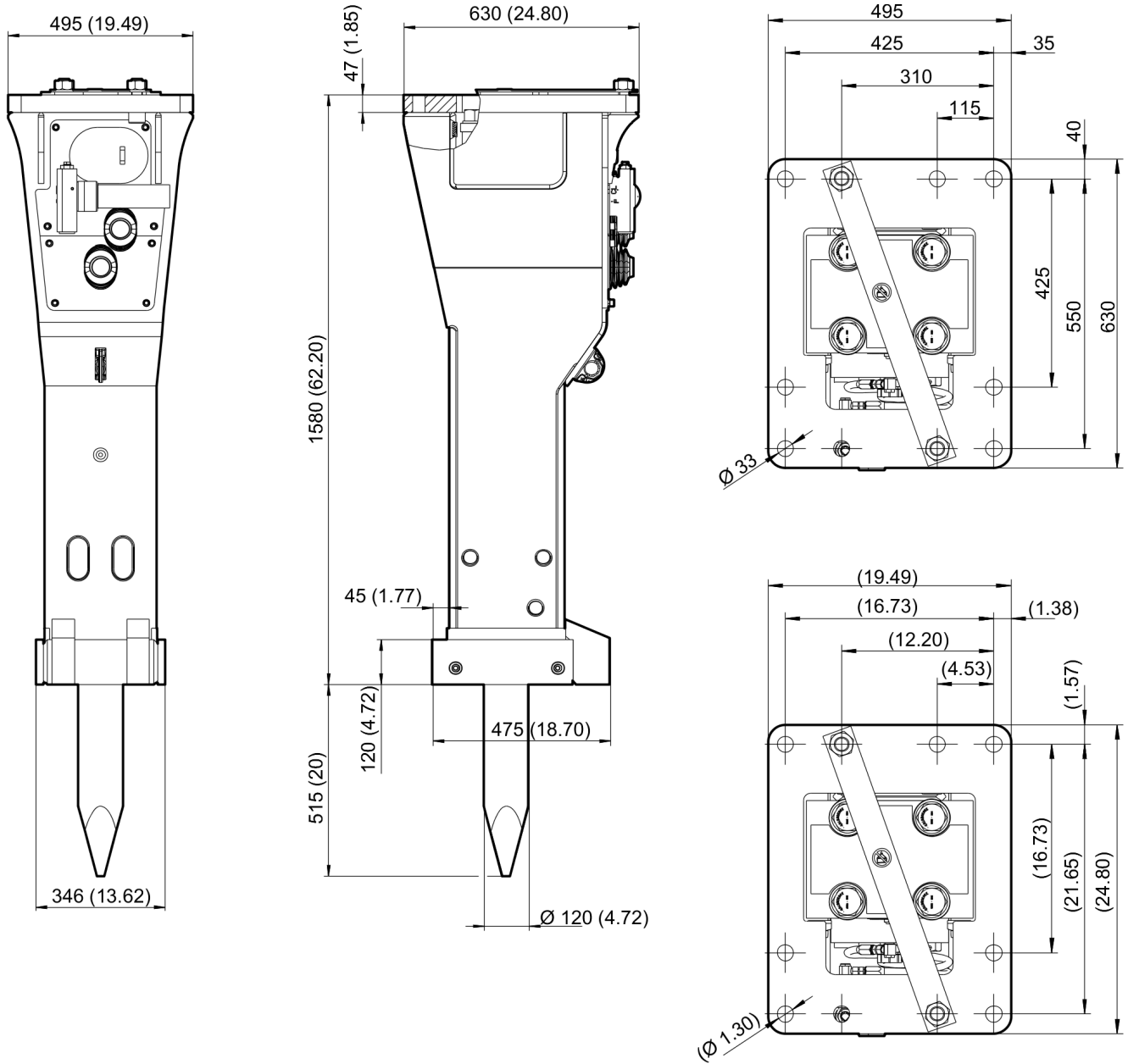
P | Open-ended wrench size 17, 19, 22

Q | Security bit HATCON

R | Allen key size 17

This page intentionally left blank

Mechanical Dimensions



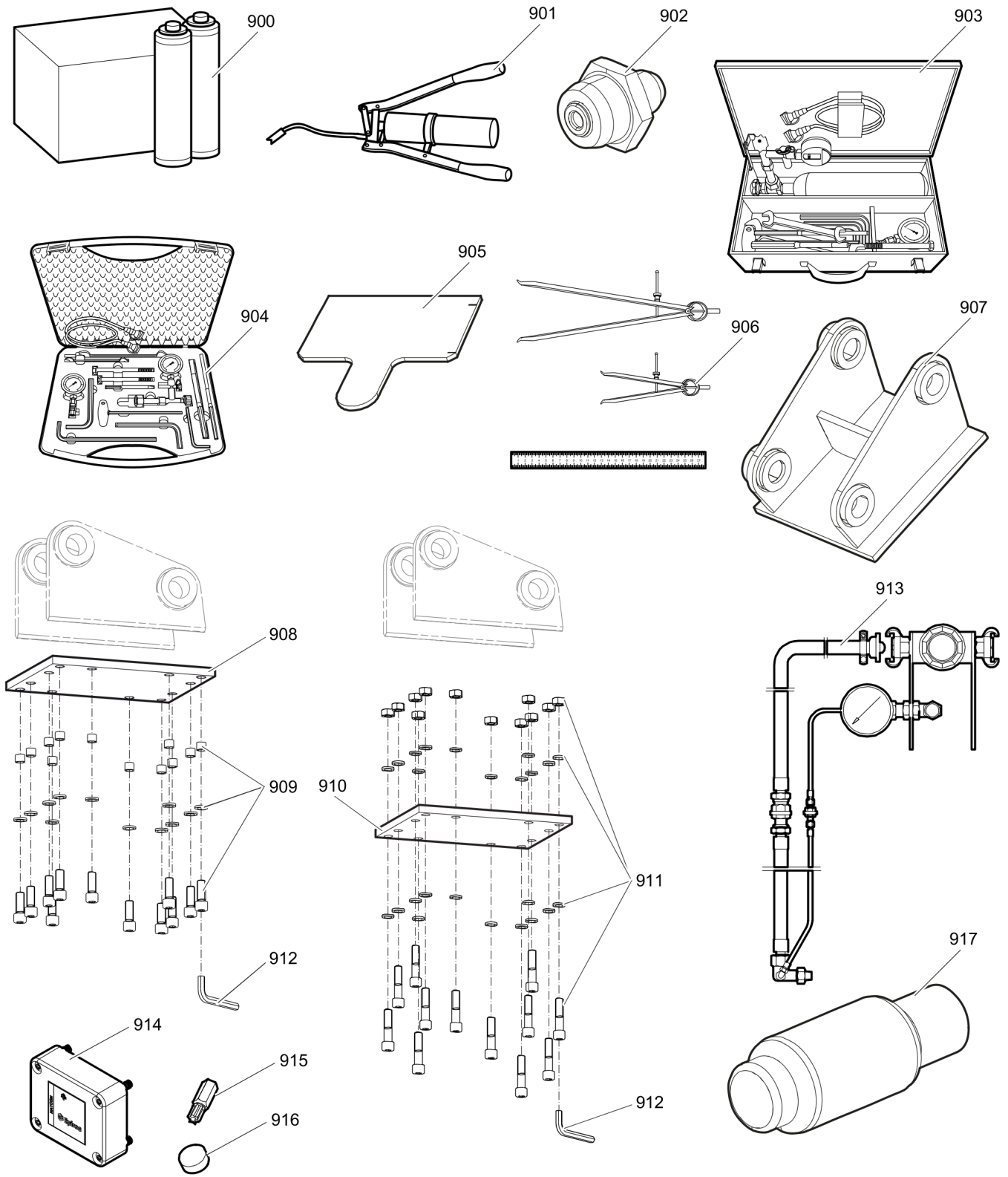
This page intentionally left blank

Options / accessories Hydraulic hoses

NO EXPLODED VIEW
AVAILABLE
FOR THIS BOM

| Item | Part No. | Name | Qty | L |
|------|------------|--|-----|---|
| - | 3360992340 | Hydraulic hose, I.D. 25 (1"), both ends M42 x 2 conical seal 24°, length 2300 mm (91 in.) | 2 | |
| - | 3361853859 | Hydraulic hose, I.D. 25 (1"), both ends M42 x 2 conical seal 24°, length 2800 mm (110 in.) | 2 | |

Options / accessories Optional equipment



Refer to the DocMine web page for most up-to-date information. The printed information might be outdated.
Wed Jan 06 12:52:43 UTC 2021

| Item | Part No. | Name | Qty | L |
|------|------------|---|-----|---|
| 900 | 3363122356 | Bio chisel paste cartridge, 12 x 550 g (1.2 lbs) | 1 | |
| 900 | 3363091200 | Chisel paste cartridge, 12 x 500 g (1.1 lbs) | 1 | |
| 901 | 3363034567 | GREASE PUMP | 1 | |
| 902 | 3360433774 | Grease nipple | 1 | |
| 903 | 3363089844 | Maintenance and charging box with nitrogen cylinder, 2 l, 0.43 gal (0.53 US gal) | 1 | |
| 904 | 3363094940 | Maintenance and charging box without nitrogen cylinder | 1 | |
| 905 | 3363068255 | Test gauge lower wear bush | 1 | |
| 906 | 3363094952 | Inside callipers upper wear bush | 1 | |
| 907 | | Adapter plate matching the carrier. Consult the authorized Customer Center/Dealer in your area. | 1 | |
| 908 | 3363099799 | Base plate with threaded inserts | 1 | |
| 909 | 3363087303 | Bolt kit | 1 | |
| 910 | 3363100697 | Base plate with through borings | 1 | |
| 911 | 3363094575 | Bolt kit | 1 | |
| 912 | 3360209445 | Allen key (22 mm) | 1 | |
| 913 | 3363090531 | Adapter kit for underwater applications | 1 | |
| 914 | 3315442500 | Retrofit kit HATCON | 1 | A |
| 915 | 3315439105 | Security bit HATCON | 1 | |
| 916 | 3315439106 | Magnet HATCON | 1 | |
| 917 | 3363092977 | Piston retainer | 1 | B |

Comments for Page: Optional equipment

A | with item 915 and 916

Hydraulic breakers are factory equipped with threads for attaching Retrofit kit HATCON

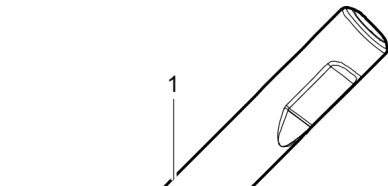
from s/n DEQ200229 - (MB 1200)

from s/n DEQ200366 - (MB 1200 DP)

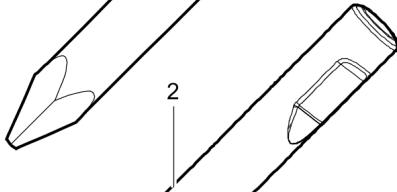
from s/n DEQ200330 - (MB 1200 E)

B | Consult the authorized Customer Center/Dealer in your area.

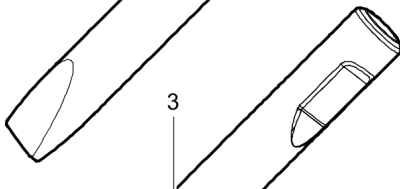
Options / accessories Working tools ClassicLine



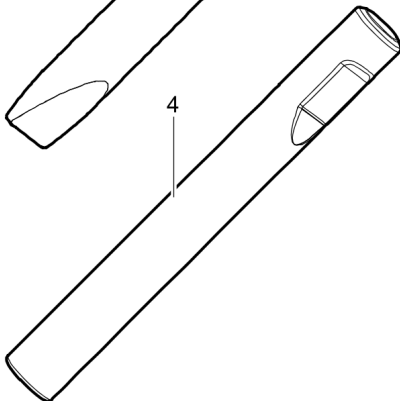
Ø=120 mm, L=515 mm, L_T=1080 mm, Wt=84.0 kg
 Ø=4.72 inch, L=20 inch, L_T=42.52 inch, Wt=185.2 lb



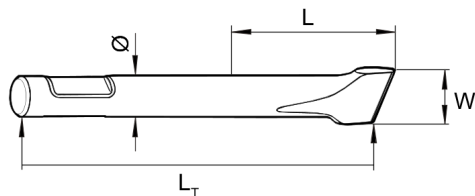
Ø=120 mm, W= 120mm, L=515 mm, L_T=1080 mm, Wt=87.0 kg
 Ø=4.72 inch, W=4.72 inch, L=20 inch, L_T=42.52 inch, Wt=191.8 lb



Ø=120 mm, W= 120mm, L=515 mm, L_T=1080 mm, Wt=87.0 kg
 Ø=4.72 inch, W=4.72 inch, L=20 inch, L_T=42.52 inch, Wt=191.8 lb

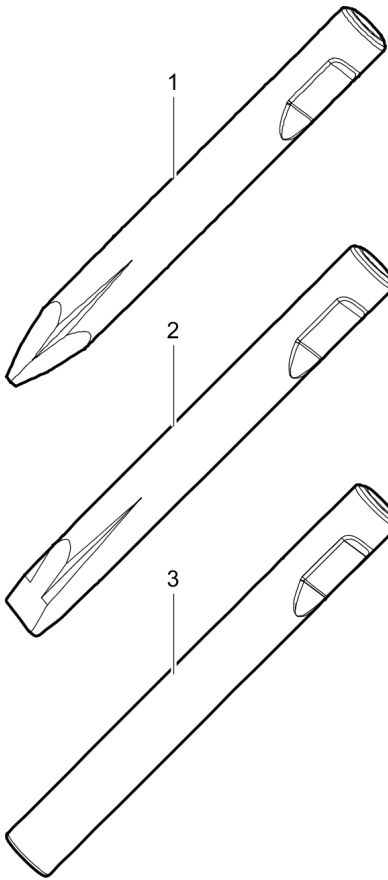


Ø=120 mm, L=515 mm, L_T=1080 mm, Wt=92.0 kg
 Ø=4.72 inch, L=20 inch, L_T=42.52 inch, Wt=202.8 lb



| Item | Part No. | Name | Qty | L |
|------|------------|-------------------|-----|---|
| 1 | 3363119655 | Moil point | 1 | |
| 2 | 3363119656 | Chisel (cross) | 1 | |
| 3 | 3363119657 | Chisel (parallel) | 1 | |
| 4 | 3363119658 | Blunt tool | 1 | |

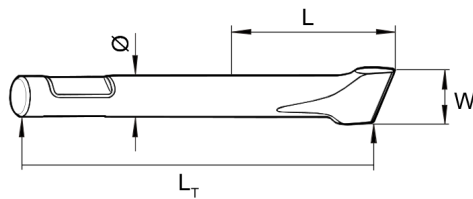
Options / accessories Working tools ProLine



Ø=120 mm, L=585 mm, L_T=1150 mm, Wt=89.0 kg
 Ø=4.72 inch, L=23 inch, L_T=45.28 inch, Wt=196.2 lb

Ø=120 mm, W= 120mm, L=585 mm, L_T=1150 mm, Wt=92.0 kg
 Ø=4.72 inch, W=4.72 inch, L=23 inch, L_T=45.28 inch, Wt=202.8 lb

Ø=120 mm, L=585 mm, L_T=1150 mm, Wt=99.0 kg
 Ø=4.72 inch, L=23 inch, L_T=45.28 inch, Wt=218.3 lb



| Item | Part No. | Name | Qty | L |
|------|------------|----------------|-----|---|
| 1 | 3363118328 | Moil point | 1 | |
| 2 | 3363118334 | Chisel (cross) | 1 | |
| 3 | 3363103157 | Blunt tool | 1 | |

Any unauthorized use or copying of the contents or any part thereof is prohibited.
This applies in particular to trademarks, model denominations, part numbers, and drawings.