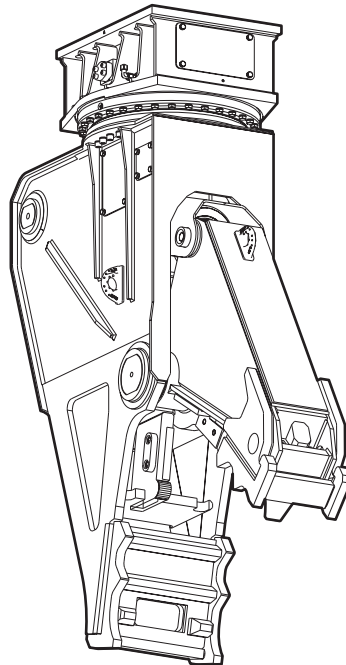


DP 2000

Spare parts list Demolition pulverizer

DP 2000 s/n DEQ199002 -



General information

This spare parts list applies to the following:

Part number	Description
3363097401	Demolition pulverizer DP 2000
3363124939	Demolition pulverizer DP 2000 with HATCON

Use only authorized parts. Any damage or malfunction caused by the use of unauthorized parts is not covered by Warranty or Product Liability. Any unauthorized use or copying of the contents or any part thereof is prohibited. This applies in particular to trademarks, model denominations, part numbers, and drawings.

Instructions for use

This spare parts list contains no safety regulations and is merely intended to assist in the ordering of spare parts.

For information about operating, servicing, or repairing, the relevant Safety and operating instructions must be consulted at all costs.

Please observe the safety instructions listed in the relevant Safety and operating instructions!

Instructions for ordering

It is essential to indicate the serial number of the hydraulic attachment when ordering spare parts!

Please note the full identification number of your hydraulic attachment.

Determine the quantity of individual parts which are required and need to be ordered. The order must indicate the following details:

- full identification code of the hydraulic attachment
- required quantity
- part number
- description

Service, repair and wear part kits

Kit list 1

Mechanical

Demolition pulverizer3
Pulverizer jaw6
Hydraulic cylinder 9
Protective sheath 11
Upper part complete 13
Rotary transmission16
HATCON19
Tightening torques 21
Dimensions 23

Options / accessories

Hydraulic hoses 24
Optional equipment 127

Service, repair and wear part kits Kit list

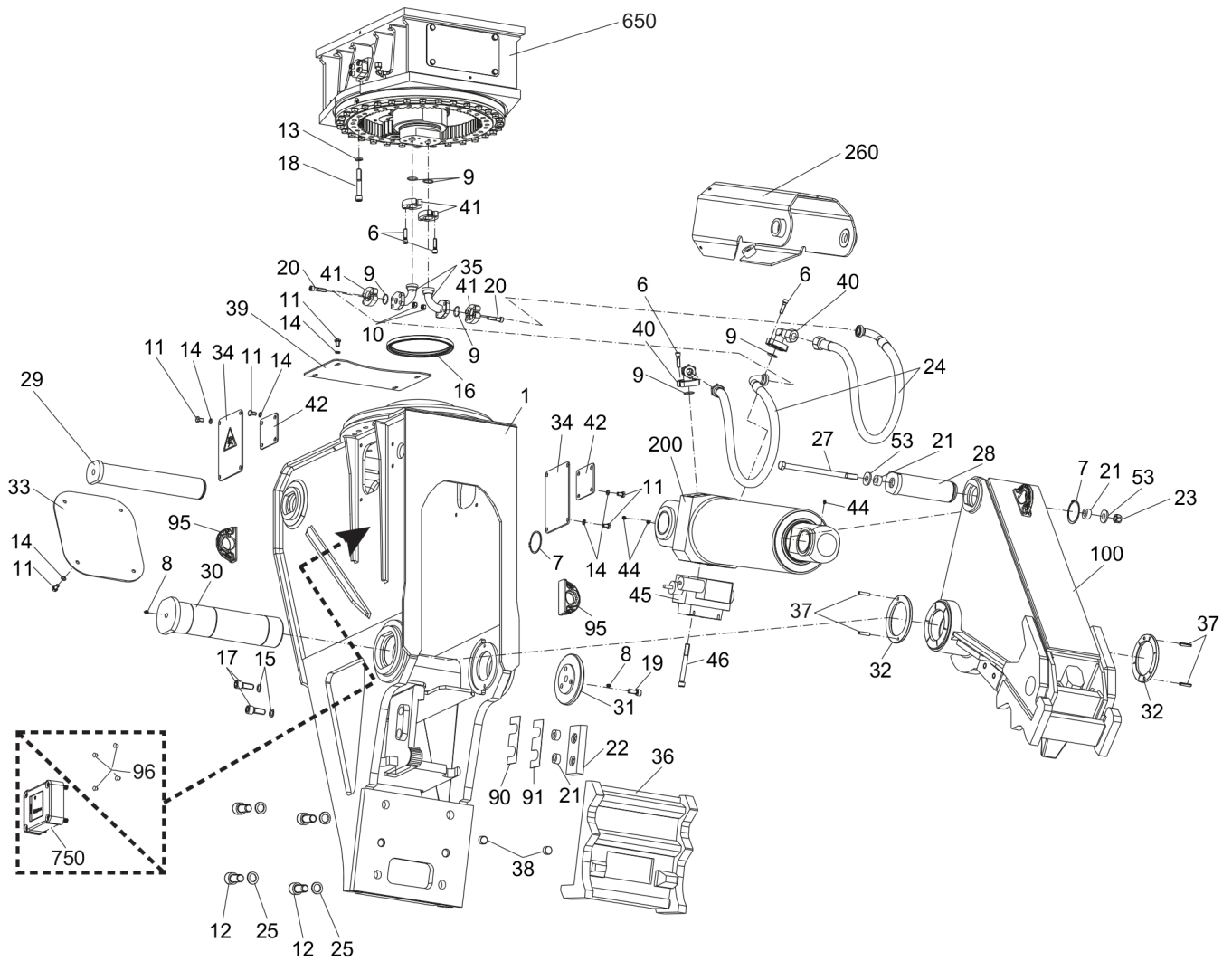
**NO EXPLODED VIEW
AVAILABLE
FOR THIS BOM**

Item	Part No.	Name	Qty	L
KIT	3363098208	Label kit	1	
KIT	3363098262	Cutter blades kit	1	
15	3361850748	Pair of lock washers	2	
17	3362328057	Allen screw	2	
21	3363035107	Lock ring	2	
22	3363086455	Cutter blade	1	
90	3363091026	Shim	1	
91	3363092403	Shim	1	
102	3363086455	Cutter blade	1	
103	3362328057	Allen screw	2	
105	3363035107	Lock ring	2	
111	3361850748	Pair of lock washers	2	
192	3363091026	Shim	1	
193	3363092403	Shim	1	
KIT	3363123127	Tooth plate kit (Housing)	1	
12	3360438210	Hexagon head screw	4	
25	3361850747	Pair of lock washers	4	
36	3363123050	Tooth plate	1	
38	3363086441	Lock pin	2	
KIT	3363122971	Tooth plate kit (Pulverizer jaw)	1	
104	3363098934	Hexagon nut	1	
108	3363123492	Hexagon head bolt	1	
109	3363098968	Tip of tooth	1	A
110	3363122661	Tooth plate	1	
KIT	3363083074	Seal kit (Hydraulic motor)	1	
KIT	3363083945	Seal kit (Hydraulic motor housing)	1	
KIT	3363113168	Seal kit (Rapid movement valve)	1	

Comments for Page: Kit list

A | with item 104 and 108

Mechanical Demolition pulverizer



Item	Part No.	Name	Qty	L
1	3363122800	Housing	1	A
6	3360026513	Allen screw	16	
7	3360028525	Lock ring	2	
8	3360209834	Grease nipple	2	
9	3360314370	O-ring	6	
10	3363115633	Hexagon nut	8	
11	3360433381	Hexagon head screw	24	
12	3360438210	Hexagon head screw	4	
13	3361333703	Pair of lock washers	24	
14	3361850596	Pair of lock washers	24	
15	3361850748	Pair of lock washers	2	
16	3362267680	Rotary shaft seal	1	
17	3362328057	Allen screw	2	
18	3362328098	Allen screw	24	
19	3362328113	Allen screw	3	
20	3363031593	Allen screw	8	
21	3363035107	Lock ring	4	
22	3363086455	Cutter blade	1	
23	3363087619	Hexagon nut	1	
24	3363091082	Hydraulic hose	2	
25	3361850747	Pair of lock washers	4	
27	3363091908	Hexagon head screw	1	
28	3363092733	Bolt	1	
29	3363092735	Bolt	1	
30	3363092737	Bolt	1	
31	3363092739	Cap	1	
32	3363092741	Wear ring	2	
33	3363092745	Plate	1	
34	3363092749	Plate	2	
35	3363093797	Connection	2	
36	3363123050	Tooth plate	1	
37	3363098104	Spring dowel sleeve	4	
38	3363086441	Lock pin	2	
39	3363092747	Plate	1	
40	3362263593	Fitting complete	2	
41	3361853208	Flange half	8	
42	3363103632	Plate	2	

Refer to the DocMine web page for most up-to-date information. The printed information might be outdated.

Tue Mar 30 11:12:47 UTC 2021

Item	Part No.	Name	Qty	L
44	3360209834	Grease nipple	3	
45	3363103691	Rapid movement valve	1	
46	3363091092	Allen screw	4	
53	3363106268	Disk	2	
90	3363091026	Shim	1	B
91	3363092403	Shim	1	C
95	3363111994	Lifting eye	2	D
96	3315439145	Protective plug HATCON	4	E
100	3363103634	Pulverizer jaw complete	1	F
200	3363103624	Hydraulic cylinder complete	1	F
260	3363103626	Protective sheath complete	1	F
650	3363100235	Upper part complete	1	F
750		HATCON	1	G

Comments for Page: Demolition pulverizer

(L)OCAL REMARKS

A | with item 95

B | 1.0 mm (0.04 in.) thick, as required

C | 0.2 mm (0.01 in.) thick, as required

D | professional welding process necessary

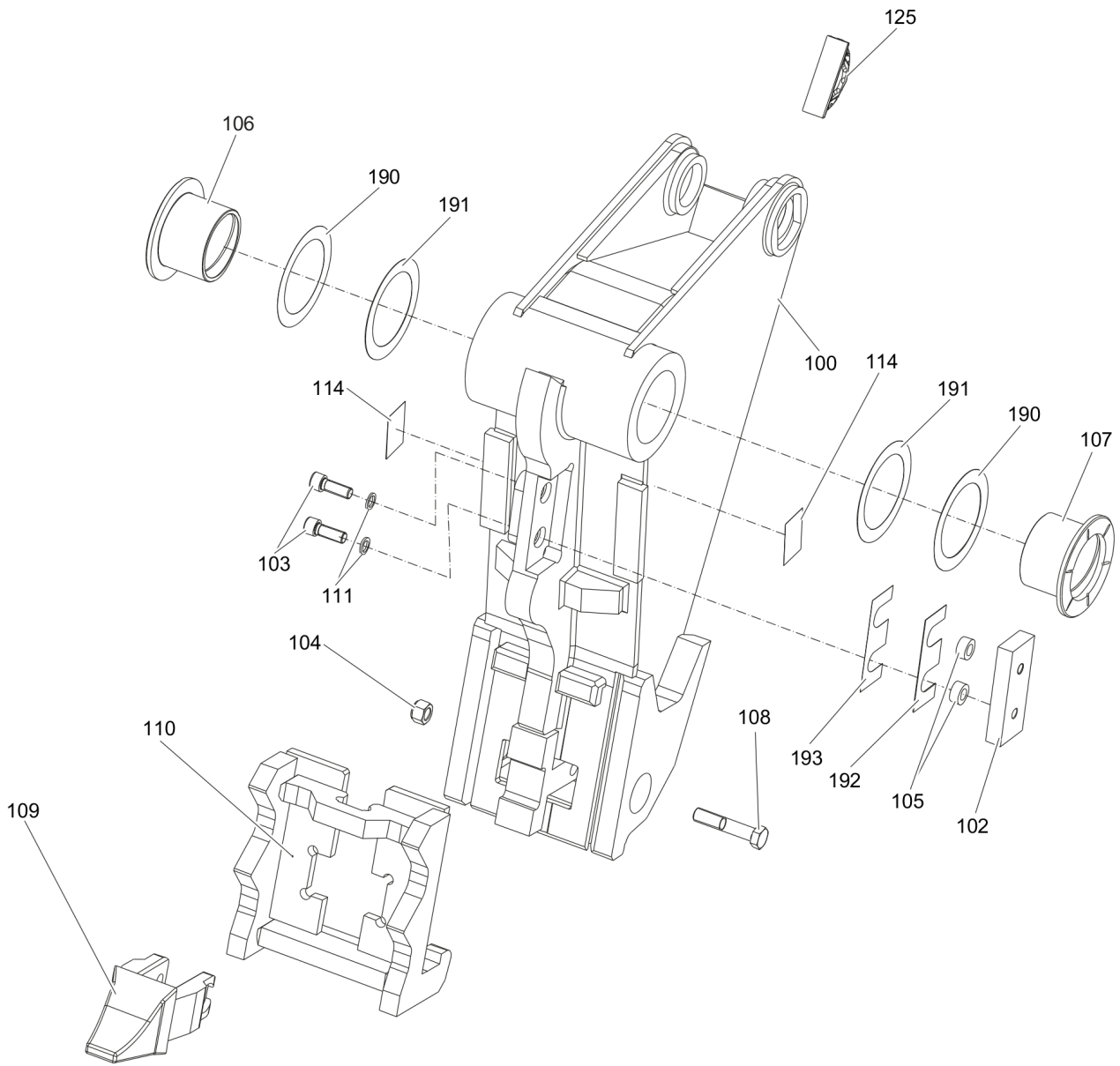
E | only for hydraulic pulverizers without HATCON

F | see separate chapter

G | only for hydraulic pulverizers with HATCON / see separate chapter

This page intentionally left blank

Mechanical Pulverizer jaw



Item	Part No.	Name	Qty	L
100	3363103634	Pulverizer jaw complete	1	A
102	3363086455	Cutter blade	1	
103	3362328057	Allen screw	2	
104	3363098934	Hexagon nut	1	
105	3363035107	Lock ring	2	
106	3363092777	Bearing bush	1	
107	3363092779	Bearing bush	1	
108	3363123492	Hexagon head bolt	1	
109	3363098968	Tip of tooth	1	B
110	3363122661	Tooth plate	1	
111	3361850748	Pair of lock washers	2	
114	3362268751	Label tightening torque	2	C
125	3363111994	Lifting eye	1	D
190	3363091056	Spacer ring	1	E
191	3363092141	Spacer ring	1	F
192	3363091026	Shim	1	F
193	3363092403	Shim	1	E

Comments for Page: Pulverizer jaw

(L)OCAL REMARKS

A | with parts item 102 to 125

B | with item 104 and 108

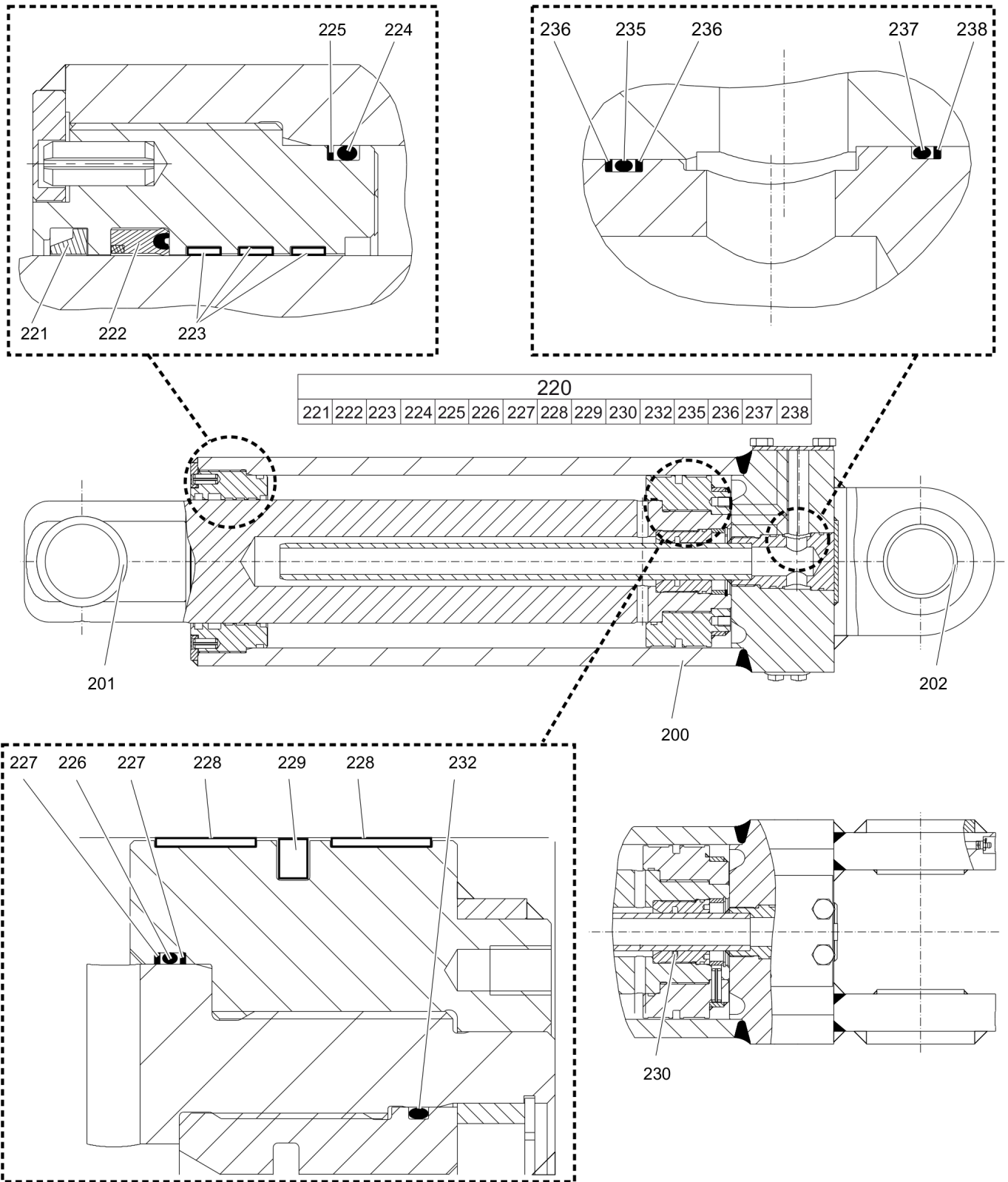
C | German/English

D | professional welding process necessary

E | 0.2 mm (0.01 in.) thick, as required

F | 1.0 mm (0.04 in.) thick, as required

Mechanical Hydraulic cylinder



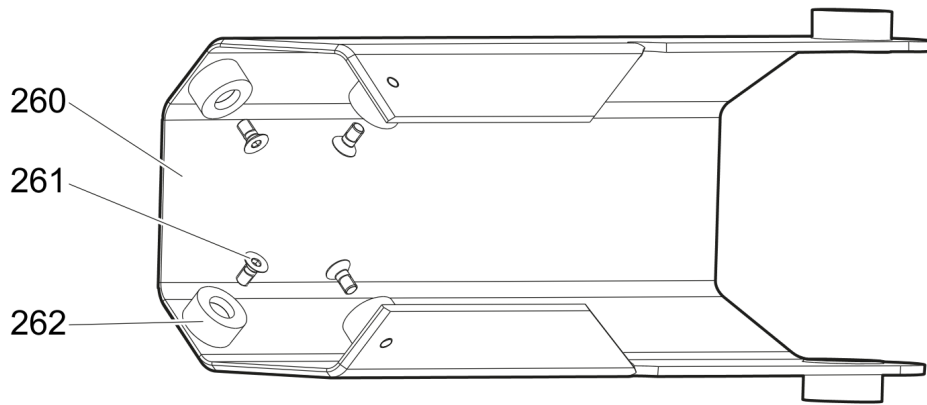
Item	Part No.	Name	Qty	L
200	3363103624	Hydraulic cylinder complete	1	A
201	3363091940	Clamping bush	2	
202	3363091941	Clamping bush	2	
220(221-238)	3363098900	Seal kit	1	
221		Wiper	1	
222		Seal	1	
223		Guide ring	3	
224		O-ring	1	
225		Back-up ring	1	
226		O-ring	1	
227		Back-up ring	2	
228		Guide Ring	2	
229		Seal	1	
230		Seal	1	
232		O-ring	1	
235		O-ring	1	
236		Back-up ring	2	
237		O-ring	1	
238		Back-up ring	1	

Comments for Page: Hydraulic cylinder

(L)OCAL REMARKS

A | with item 201 - 238

Mechanical Protective sheath



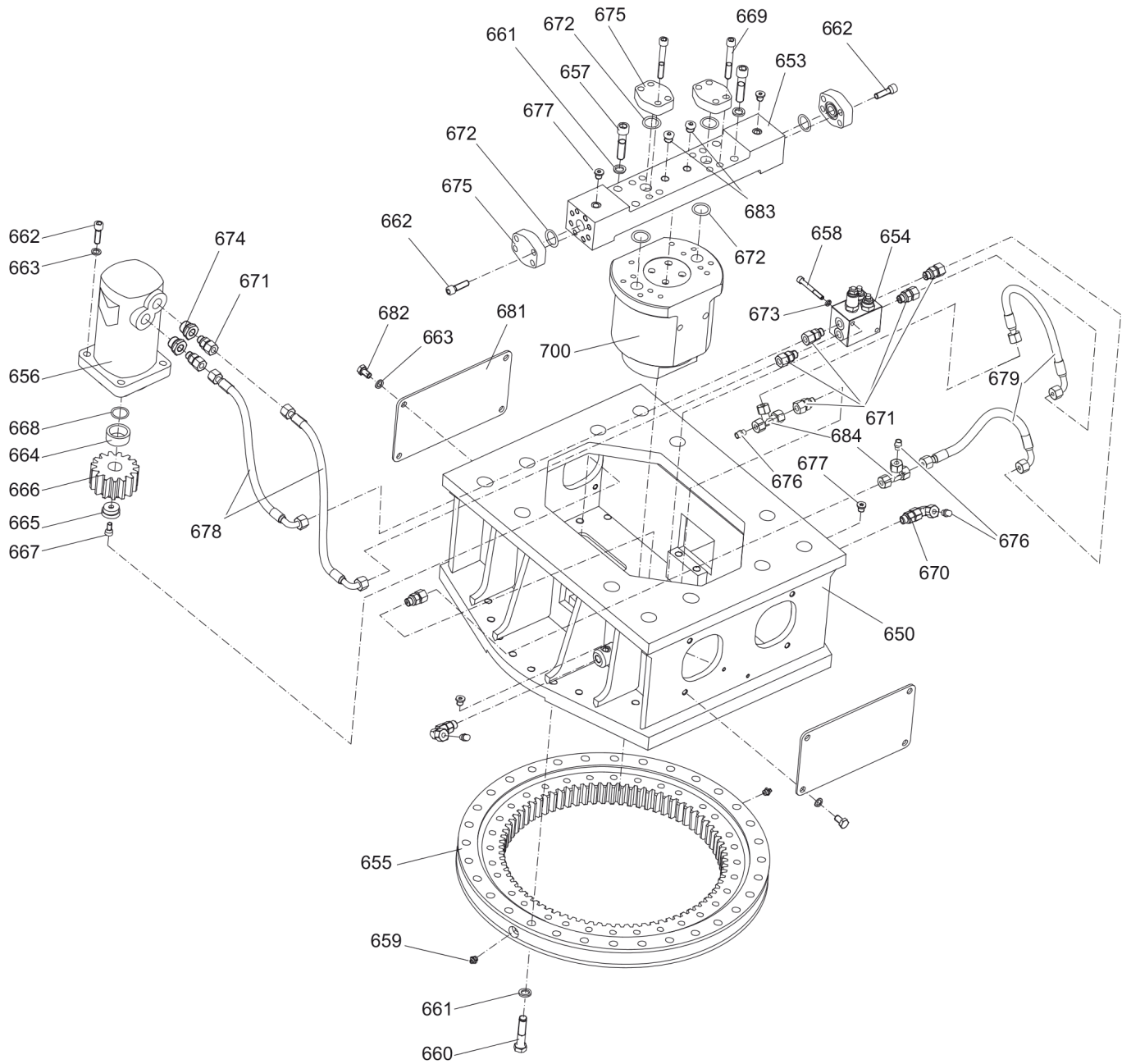
Item	Part No.	Name	Qty	L
260	3363122840	Protective sheath complete	1	A
261	3363091047	Flat head socket bolt	4	
262	3363099047	Wear piece	4	

Comments for Page: Protective sheath

(L)OCAL REMARKS

A | with item 261 - 262

Mechanical Upper part complete



Refer to the DocMine web page for most up-to-date information. The printed information might be outdated.
Tue Mar 30 11:12:49 UTC 2021

Item	Part No.	Name	Qty	L
650	3363100235	Upper part complete	1	A
653	3363092099	Connection plate	1	
654	3362266712	Valve block	1	
655	3362267696	Four point bearing	1	
656	3363098967	Hydraulic motor	1	
657	3360026646	Allen screw	4	
658	3360103738	Allen screw	2	
659	3360433774	Grease nipple	2	
660	3363085887	Hexagon head screw	32	
661	3361333703	Pair of lock washers	36	
662	3360026512	Allen screw	12	
663	3361850596	Pair of lock washers	12	
664	3362265869	Ring	1	
665	3363088327	Ring	1	
666	3362260807	Spur pinion	1	
667	3361031981	Allen screw	1	
668	3360313304	O-ring	1	
669	3363034429	Allen screw	8	
670	3363091912	Fitting	2	
671	3360478333	Fitting	8	
672	3360314370	O-ring	6	
673	3361850743	Pair of lock washers	2	
674	3362267435	Fitting	2	
675	3363034040	Blind flange	4	B
676	3360314593	Plug	4	
677	3360478439	Threaded plug	4	
678	3363085885	Hydraulic hose	2	
679	3363083972	Hydraulic hose	2	
681	3363104123	Cover sheet	2	
682	3360433381	Hexagon head screw	8	
683	3360478440	Threaded plug	2	
684	3360314543	Fitting	2	
700	3363033685	Rotary transmission	1	C

Comments for Page: Upper part complete

(L)OCAL REMARKS

Refer to the DocMine web page for most up-to-date information. The printed information might be outdated.

Tue Mar 30 11:12:49 UTC 2021

A | with item 653 - 700

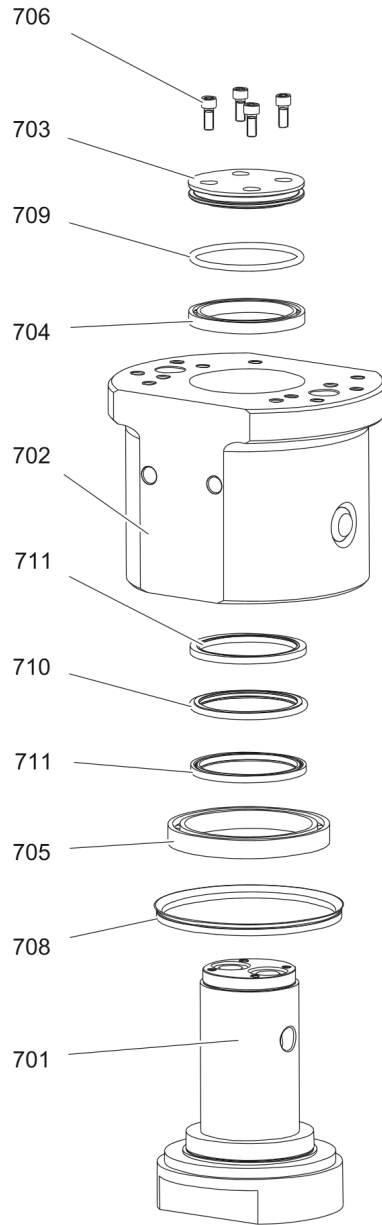
B | with one time item 672 and four times item 662

C | see separate chapter

This page intentionally left blank

Mechanical Rotary transmission

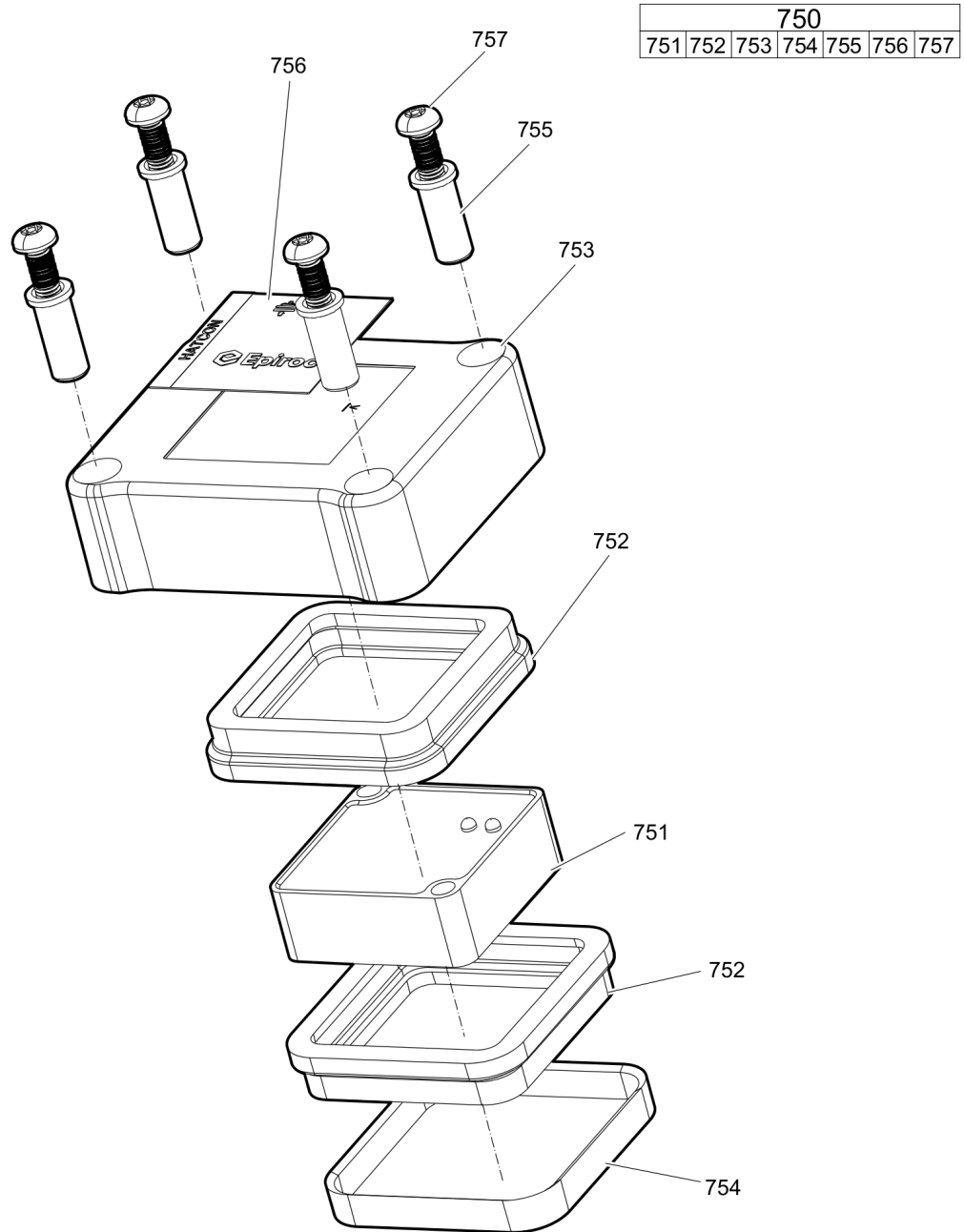
700						
701	702	703	704	705	706	707



707			
708	709	710	711

Item	Part No.	Name	Qty	L
700(701-707)	3363033685	Rotary transmission	1	
701	3363034316	Rotor	1	
702	3363034317	Stator	1	
703	3363034318	Cap	1	
704	3363034319	Ball bearing	1	
705	3363034320	Ball bearing	1	
706	3363034325	Allen screw	4	
707(708-711)	3363083066	Seal kit (Rotary transmission)	1	
708		V-ring	1	
709		O-ring	1	
710		Slide ring	1	
711		Seal	2	

Mechanical HATCON



Item	Part No.	Name	Qty	L
750(751-757)		HATCON	1	A
751		Tracking module HATCON	1	
752	3315439130	Damper HATCON	2	
753	3315439110	Housing type 1 HATCON	1	
754	3315439140	Lock ring HATCON	1	
755	3315439120	Sleeve HATCON	4	
756	3315439100	Product label HATCON	1	
757	3315442600	Screw HATCON	4	

Comments for Page: HATCON

A | part number see chapter "Optional equipment"

Mechanical Tightening torques

NO EXPLODED VIEW
AVAILABLE
FOR THIS BOM

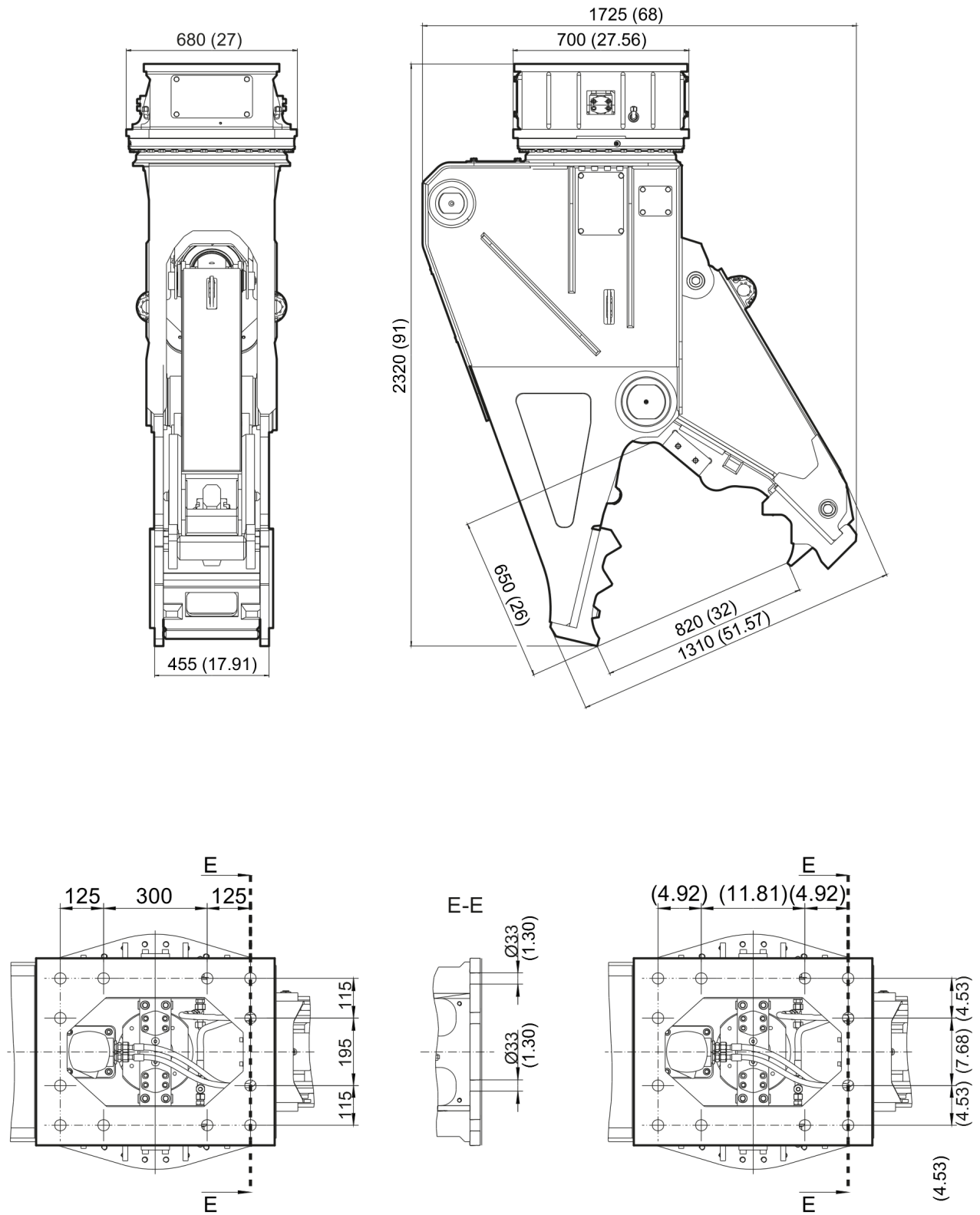
Item	Part No.	Name	Qty	L
6	-	Allen screw - 77 + 5 Nm (57 + 4 ft lbf)	-	
11	-	Hexagon head screw - 77 + 5 Nm (57 + 4 ft lbf)	-	
12	-	Hexagon head screw - 350 + 30 Nm (258 + 22 ft lbf)	-	
17	-	Allen screw - 550 + 5 Nm (406 + 4 ft lbf)	-	
18	-	Allen screw - 280 + 5 Nm (207 + 4 ft lbf)	-	
19	-	Allen screw - 190 + 5 Nm (140 + 5 ft lbf)	-	
20	-	Allen screw - 100 + 10 Nm (74 + 7 ft lbf)	-	
27	-	Hexagon head screw - 385 + 5 Nm (284 + 4 ft lbf)	-	
46	-	Allen screw - 250 + 5 Nm (184 + 4 ft lbf)	-	
50	-	Allen screw - 280 + 5 Nm (207 + 4 ft lbf)	-	
103	-	Allen screw - 530 + 30 Nm (391 + 22 ft lbf)	-	
104	-	Hexagonal nut - 920 + 30 Nm (679 + 22 ft lbf)	-	
657	-	Allen screw - 255 + 30 Nm (188 + 22 ft lbf)	-	
658	-	Allen screw - 19 + 5 Nm (14 + 4 ft lbf)	-	
660	-	Hexagon head screw - 270 + 10 Nm (199 + 7 ft lbf)	-	
662	-	Allen screw - 75 + 10 Nm (55 + 7 ft lbf)	-	
667	-	Allen screw - 70 + 5 Nm (52 + 4 ft lbf)	-	A
669	-	Allen screw - 75 + 10 Nm (55 + 7 ft lbf)	-	
670	-	Fitting - 70 + 5 Nm (52 + 4 ft lbf)	-	
671	-	Fitting - 70 + 5 Nm (52 + 4 ft lbf)	-	
674	-	Fitting - 150 + 20 Nm (111 + 15 ft lbf)	-	
677	-	Threaded plug - 25 + 5 Nm (18 + 4 ft lbf)	-	
682	-	Hexagon head screw - 75 + 10 Nm (55 + 7 ft lbf)	-	
706	-	Allen screw - 25 Nm (18 ft lbf)	-	
757	-	Screw HATCON - 22 Nm (16 ft lbf)	-	

Comments for Page: Tightening torques

(L)OCAL REMARKS

A | fix with Loctite 243

Mechanical Dimensions



Refer to the DocMine web page for most up-to-date information. The printed information might be outdated.
Tue Mar 30 11:12:51 UTC 2021

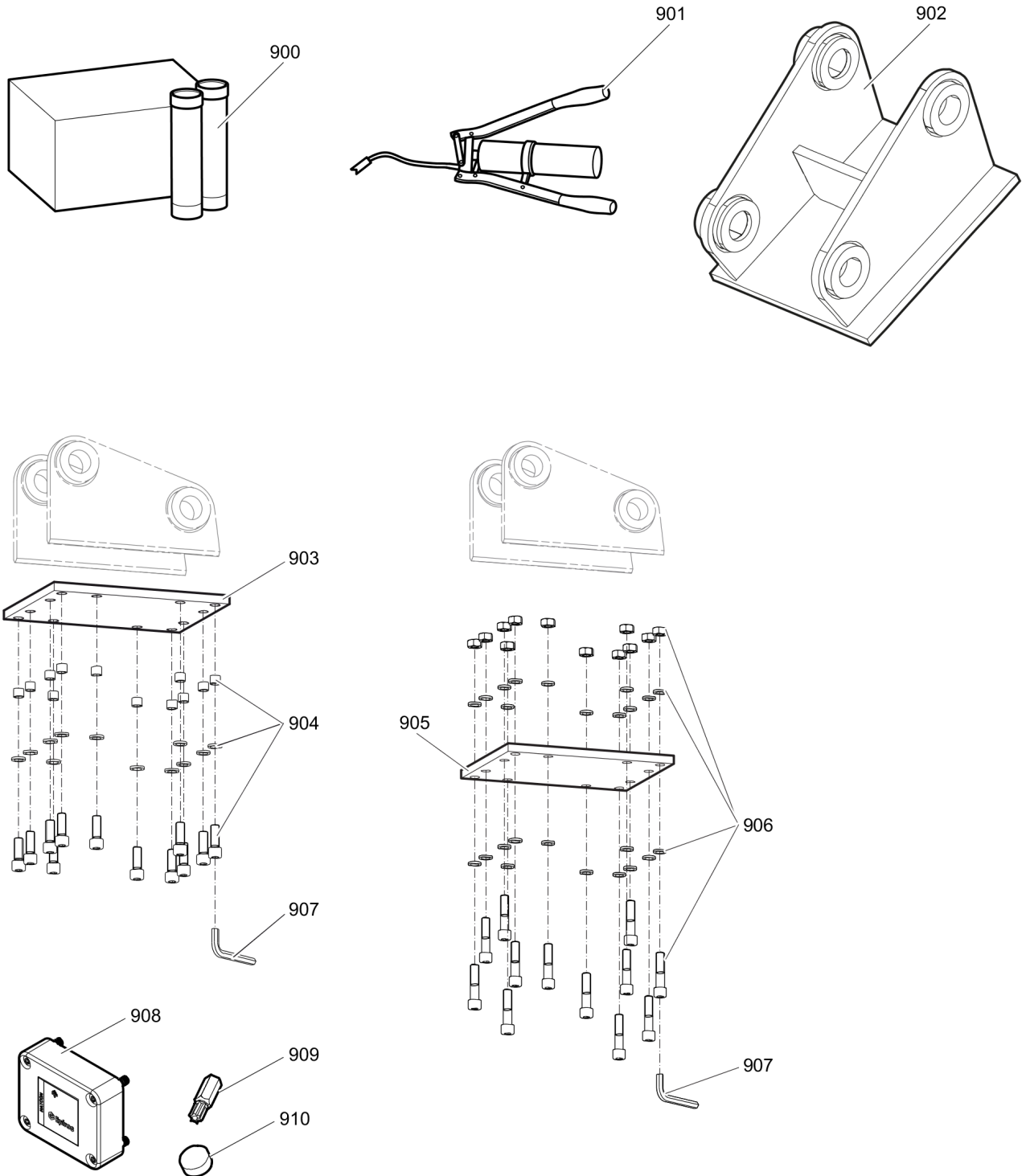
This page intentionally left blank

Options / accessories Hydraulic hoses

NO EXPLODED VIEW
AVAILABLE
FOR THIS BOM

Item	Part No.	Name	Qty	L
Not Shown	-	Open - Close		
-	3363094645	Hydraulic Hose, I.D. 25 (1"), , flange SAE 90° - 6000 PSI / M42 x 2, conical seal 24°, length 2300 mm (91 in.)	2	
-	3363094646	Hydraulic Hose, I.D. 25 (1"), , flange SAE 90° - 6000 PSI / M42 x 2, conical seal 24°, length 2800 mm (110 in.)	2	
Not Shown	-	Accessories to hydraulic hoses "Open - Close"		
-	3360026513	Allen screw	8	
-	3360314370	O-ring	2	
Not Shown	-	Rotation		
-	3363031767	Hydraulic hose, I.D. 8 (3/8"), both ends M20 x 1.5 conical seal 24°, length 2800 mm (110 in.)	2	
-	3363034399	Hydraulic hose, I.D. 8 (3/8"), both ends M20 x 1.5 conical seal 24°, length 3500 mm (138 in.)	2	

Options / accessories Optional equipment 1



Refer to the DocMine web page for most up-to-date information. The printed information might be outdated.
Tue Mar 30 11:12:51 UTC 2021

Item	Part No.	Name	Qty	L
900	3363094914	Cutter grease cartridge, 12 x 400 g (0.88 lbs)	1	
901	0909107100	LUBRICAT.GUN	1	
902		Adapter plate matching the carrier. Consult the authorized Customer Center/Dealer in your area.	1	
903	3363099799	Base plate with threaded inserts	1	
904	3363087306	Bolt kit	1	
905	3363100697	Base plate with through borings	1	
906	3363094579	Bolt kit	1	
907	3360209445	Allen key (22 mm)	1	
908	3315442500	Retrofit kit HATCON	1	A
909	3315439105	Security bit HATCON	1	
910	3315439106	Magnet HATCON	1	

Comments for Page: Optional equipment 1

A | with item 909 and 910

Any unauthorized use or copying of the contents or any part thereof is prohibited.
This applies in particular to trademarks, model denominations, part numbers, and drawings.