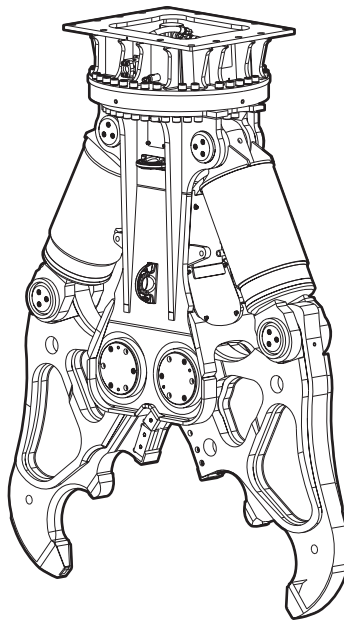


CB 7500

Spare parts list

Hydraulic concrete buster

CB 7500 s/n DEQ199501 -



General information

This spare parts list applies to the following:

Part number	Description
3363121400	Hydraulic concrete buster CB 7500
3363124934	Hydraulic concrete buster CB 7500 with HATCON

Use only authorized parts. Any damage or malfunction caused by the use of unauthorized parts is not covered by Warranty or Product Liability. Any unauthorized use or copying of the contents or any part thereof is prohibited. This applies in particular to trademarks, model denominations, part numbers, and drawings.

Instructions for use

This spare parts list contains no safety regulations and is merely intended to assist in the ordering of spare parts.

For information about operating, servicing, or repairing, the relevant Safety and operating instructions must be consulted at all costs.

Please observe the safety instructions listed in the relevant Safety and operating instructions!

Instructions for ordering

It is essential to indicate the serial number of the hydraulic attachment when ordering spare parts!

Please note the full identification number of your hydraulic attachment.

Determine the quantity of individual parts which are required and need to be ordered. The order must indicate the following details:

- full identification code of the hydraulic attachment
- required quantity
- part number
- description

Service, repair and wear part kits

Kit list 1

Mechanical

Hydraulic concrete buster part 1 4
Hydraulic concrete buster part 2 8
Main bolts 11
Hydraulic cylinder 13
Cutter jaw 15
Upper part 17
Rotary transmission 20
HATCON 23
Tightening torques 25
Dimensions 27

Options / accessories

Hydraulic hoses 28
Optional equipment 31

Service, repair and wear part kits Kit list

**NO EXPLODED VIEW
AVAILABLE
FOR THIS BOM**

Item	Part No.	Name	Qty	L
KIT	3363124618	Label kit	1	
KIT	3363124619	Hose (casing) kit	1	
17	3360314370	O-ring	6	
24	3360314372	O-ring	4	
26	3360026513	Allen screw	24	
28	3363034274	Allen screw	16	
30	3363121726	Hydraulic hose	2	
31	3363121727	Hydraulic hose	2	
32	3363121728	Hydraulic hose	2	
607	3360314372	O-ring	2	
641	3363034274	Allen screw	8	
KIT	3363124617	Cutter blades kit	1	
422	3363086479	Cutter blade	4	
423	3360106100	Allen screw	8	
424	3361850748	Pair of lock washers	8	
425	3363035107	Lock ring	8	
456	3363088149	Shim	4	A
457	3363087607	Shim	4	B
220(221-228)	3363106772	Seal kit for hydraulic cylinder	1	
221		Wiper	1	
222		Seal	1	
223		Seal	1	
224		Guide ring	3	
225		Seal	1	
226		Back-up ring	1	
227		Seal	1	
228		Guide ring	2	
KIT	3363083945	Seal kit (Hydraulic motor housing)	1	
KIT	3363083074	Seal kit (Hydraulic motor)	1	
707(708-711)	3363083066	Seal kit (Rotary transmission)	1	
708		V-ring	1	
709		O-ring	1	
710		Slide ring	1	
711		Seal	2	
KIT	3363106314	Seal kit (Rapid movement valve)	1	

Comments for Page: Kit list

Refer to the DocMine web page for most up-to-date information. The printed information might be outdated.

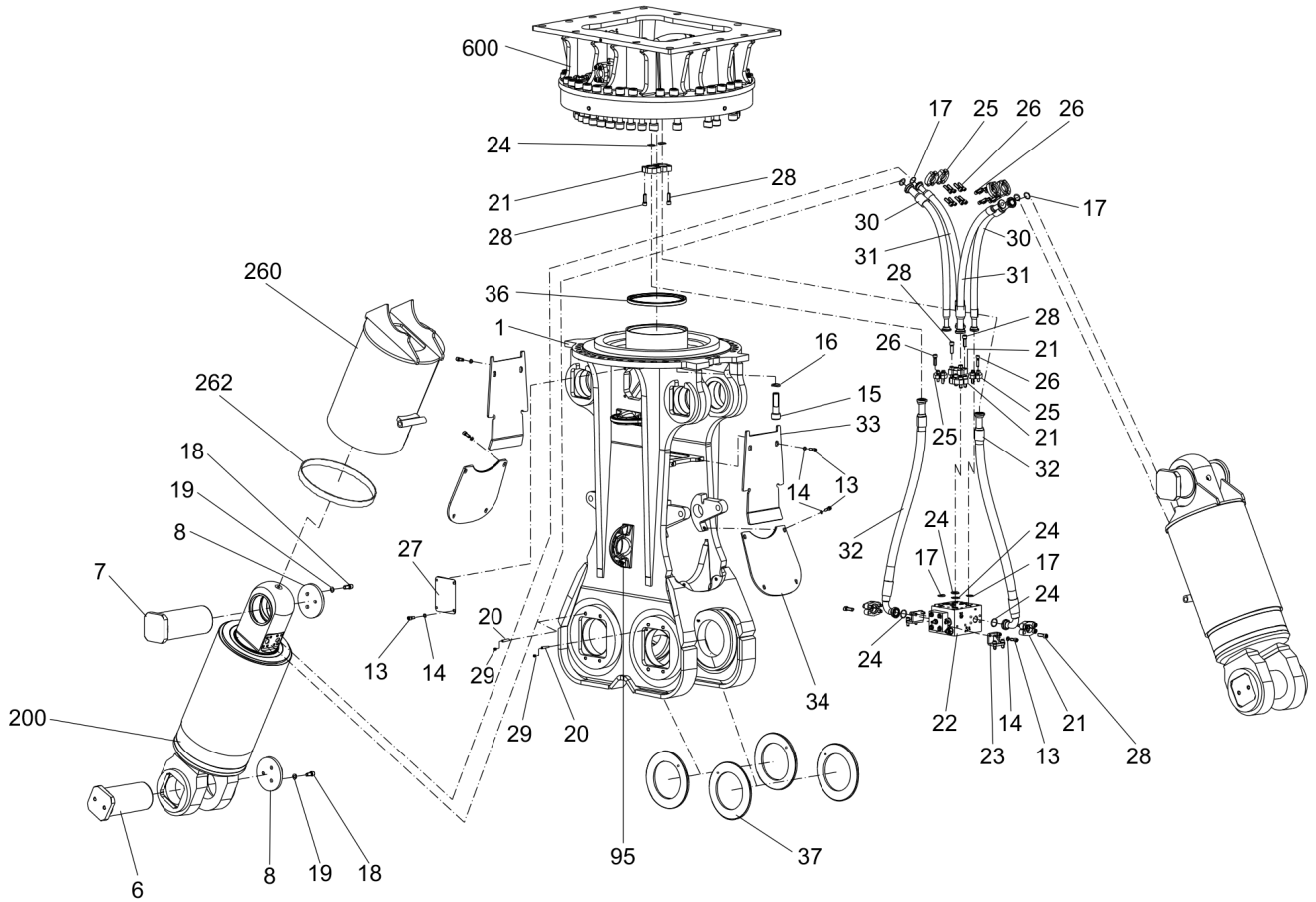
Wed Mar 31 09:53:52 UTC 2021

A | 0.2 mm (0.01 in.) thick, as required

B | 1.0 mm (0.04 in.) thick, as required

This page intentionally left blank

Mechanical Hydraulic concrete buster part 1



Item	Part No.	Name	Qty	L
1	3363121340	Housing	1	A
6	3363121446	Bolt	2	
7	3363118628	Bolt	2	
8	3363114743	Cap	4	
13	3360103751	Allen screw	28	
14	3361850596	Pair of lock washers	28	
15	3363083947	Allen screw	34	
16	3361850747	Pair of lock washers	34	
17	3360314370	O-ring	6	
18	3362328113	Allen screw	12	
19	3361333703	Pair of lock washers	12	
20	3363098104	Spring dowel sleeve	4	
21	3360992488	Flange half	8	
22	3363099407	Rapid movement valve	1	
23	3363105487	Holder	2	
24	3360314372	O-ring	4	
25	3361853208	Flange half	12	
26	3360026513	Allen screw	24	
27	3362262371	Cap	2	
28	3363034274	Allen screw	16	
29	3363118258	Pin	2	
30	3363121726	Hydraulic hose	2	
31	3363121727	Hydraulic hose	2	
32	3363121728	Hydraulic hose	2	
33	3363121450	Cover	2	
34	3363121448	Cover	2	
36	3363070083	Seal	1	
37	3363121436	Ring	4	
95	3363111996	Lifting eye	4	B
200	3363124616	Hydraulic cylinder complete	2	C
260	3363121452	Protective piston rod sheath complete	2	D
262	3363099497	Guide strip	2	
600	3363121401	Upper part complete	1	C

Comments for Page: Hydraulic concrete buster part 1

A | with item 95

B | professional welding process necessary

Refer to the DocMine web page for most up-to-date information. The printed information might be outdated.

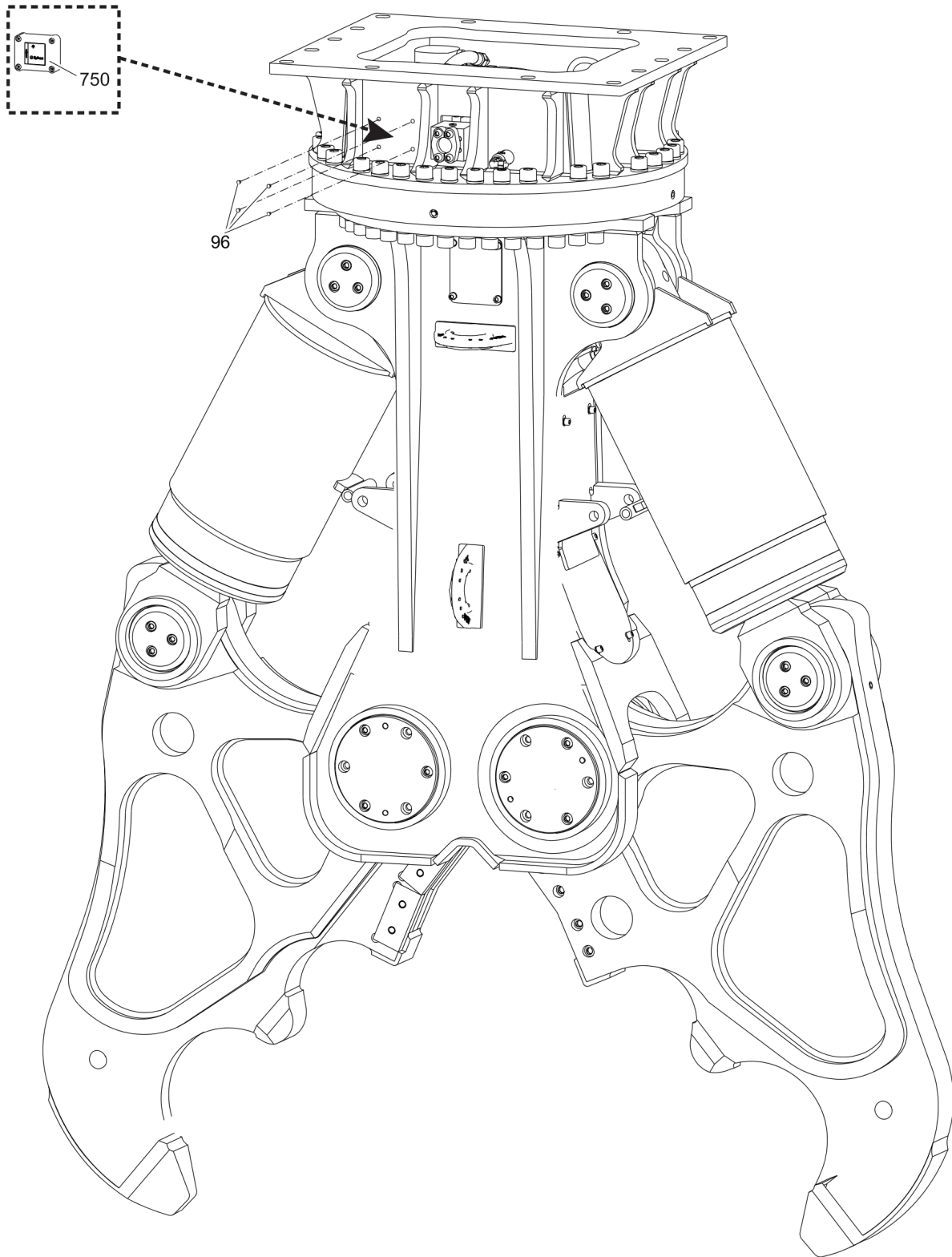
Wed Mar 31 09:53:53 UTC 2021

C | see separate chapter

D | with item 262

This page intentionally left blank

Mechanical Hydraulic concrete buster part 2



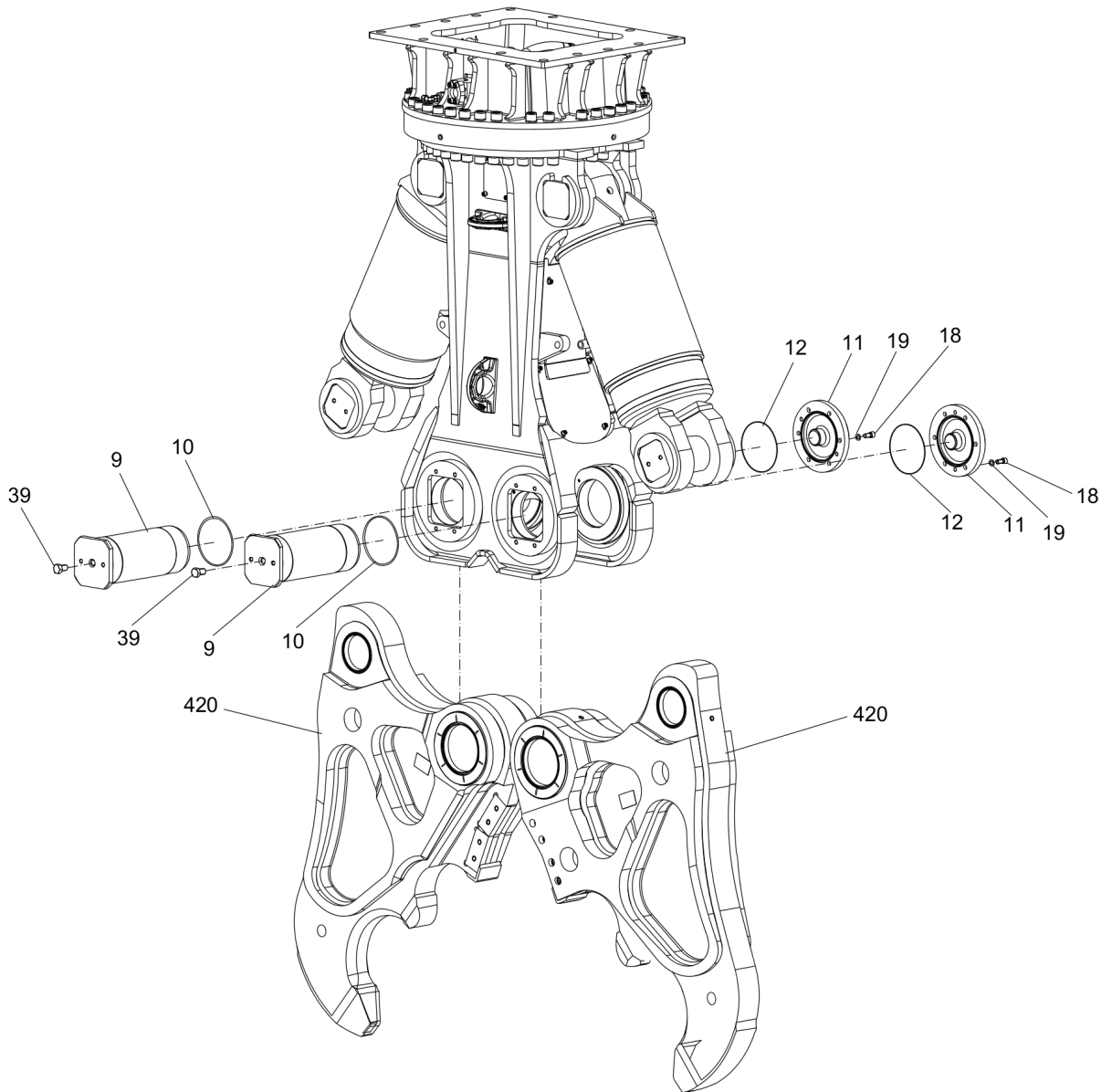
Item	Part No.	Name	Qty	L
96	3315439145	Protective plug HATCON	4	A
750		HATCON	1	B

Comments for Page: Hydraulic concrete buster part 2

A | only for hydraulic concrete busters without HATCON

B | only for hydraulic concrete busters with HATCON / see separate chapter

Mechanical Main bolts

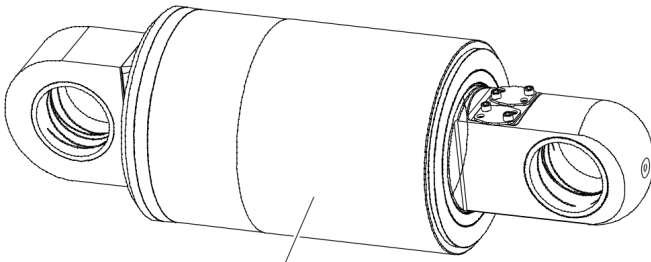


Item	Part No.	Name	Qty	L
9	3363121447	Bolt	2	
10	3361031951	O-ring	2	
11	3363118185	Cap	2	
12	3361031495	O-ring	2	
18	3362328113	Allen screw	6	
19	3361333703	Pair of lock washers	6	
39	3363091095	Hexagon head screw	2	
420	3363124615	Cutter jaw complete	2	A

Comments for Page: Main bolts

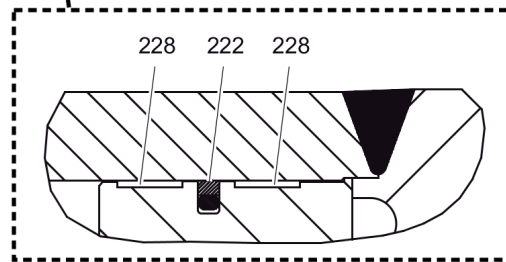
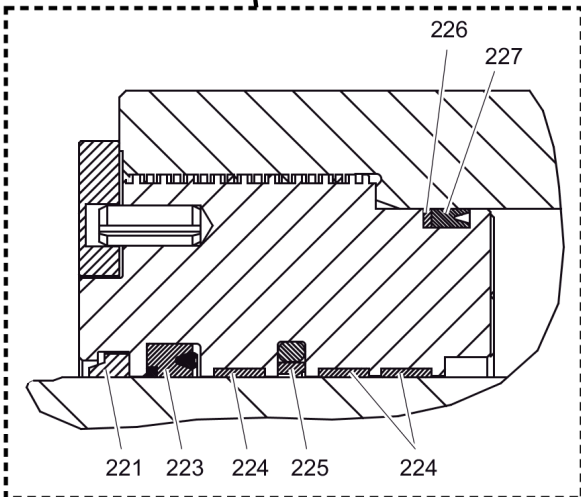
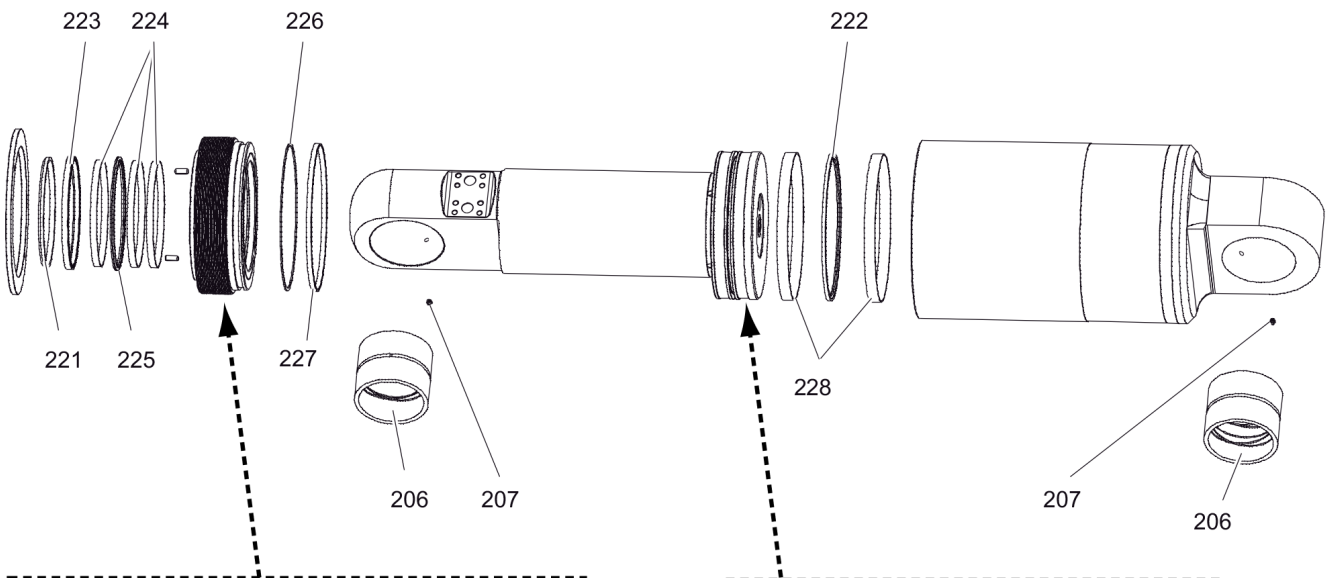
A | see separate chapter

Mechanical Hydraulic cylinder



200

220								
221	222	223	224	225	226	227	228	

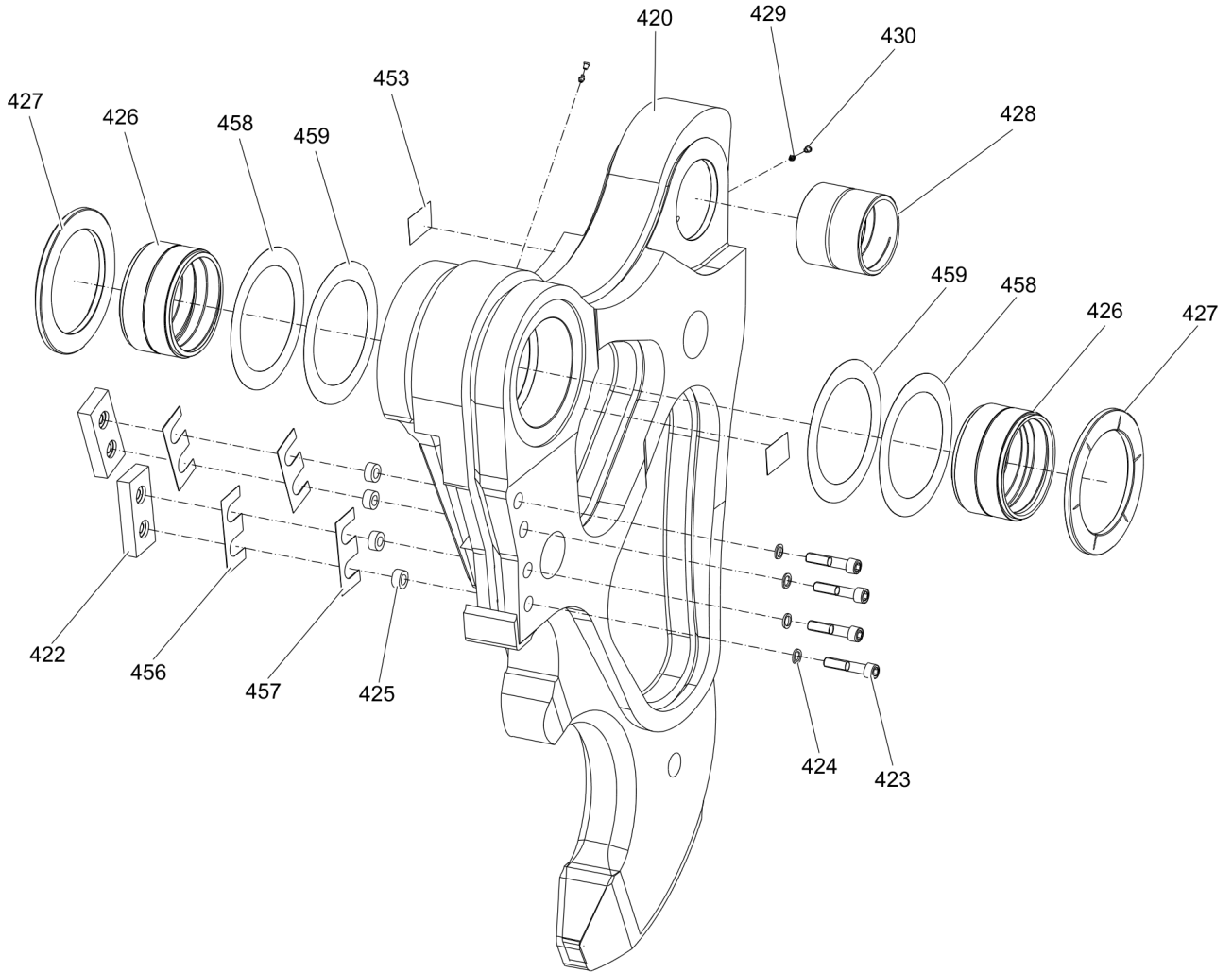


Refer to the DocMine web page for most up-to-date information. The printed information might be outdated.

Wed Mar 31 09:53:55 UTC 2021

Item	Part No.	Name	Qty	L
200	3363124616	Hydraulic cylinder complete	2	A
206	3363109393	Clamping bush	4	
207	3360209834	Grease nipple	4	
220(221-228)	3363106772	Seal kit for hydraulic cylinder	2	
221		Wiper	1	
222		Seal	1	
223		Seal	1	
224		Guide ring	3	
225		Seal	1	
226		Back-up ring	1	
227		O-ring	1	
228		Guide ring	2	

Mechanical Cutter jaw



Item	Part No.	Name	Qty	L
420	3363124615	Cutter jaw complete	2	A
422	3363086479	Cutter blade	4	
423	3360106100	Allen screw	8	
424	3361850748	Pair of lock washers	8	
425	3363035107	Lock ring	8	
426	3363121388	Bearing bush	4	
427	3363099495	Wear ring	4	
428	3363121387	Bearing bush	2	
429	3360209834	Grease nipple	4	
430	3363087600	Cap	4	
453	3362268751	Label tightening torque	4	B
456	3363088149	Shim	4	C
457	3363087607	Shim	4	D
458	3363099491	Spacer ring	4	C
459	3363099493	Spacer ring	4	E

Comments for Page: Cutter jaw

A | with parts 422 - 453

B | German/English

C | 0.2 mm (0.01 in.) thick, as required

D | 1.0 mm (0.04 in.) thick, as required

E | 0.5 mm (0.02 in.) thick, as required

Item	Part No.	Name	Qty	L
600	3363121401	Upper part complete	1	A
602	3363121399	Four point bearing	1	
603	3363098967	Hydraulic motor	2	
604	3360026513	Allen screw	8	
605	3360992488	Flange half	12	
606	3360103738	Allen screw	2	
607	3360314372	O-ring	8	
608	3363113033	Fitting	2	
609	3360313304	O-ring	2	
610	3361031981	Allen screw	2	
611	3362328096	Allen screw	4	
612	3360314593	Plug	4	
613	3360478333	Fitting	4	
614	3360478439	Threaded plug	4	
615	3360478440	Threaded plug	2	
616	3363091912	Fitting	2	
617	3361333703	Pair of lock washers	10	
618	3361850596	Pair of lock washers	8	
619	3361850743	Pair of lock washers	4	
620	3363031348	Blind plate	6	
621	3361850747	Pair of lock washers	36	
622	3362265869	Ring	2	
623	3363113437	Valve block	1	
624	3363113032	Fitting	6	
625	3363083947	Allen screw	36	
626	3363113061	Hydraulic hose	2	
627	3363087600	Cap	4	
628	3363088327	Ring	2	
629	3360103733	Allen screw	2	
630	3363083972	Hydraulic hose	1	
631	3363099489	Cover sheet	1	
633	3363099597	Spur pinion	2	
634	3360026641	Allen screw	6	
635	3363109941	Plate	2	
636	3363113034	Fitting	2	
638	3362263704	Hydraulic hose	1	
639	3363105485	Allen screw	8	

Refer to the DocMine web page for most up-to-date information. The printed information might be outdated.

Wed Mar 31 09:53:56 UTC 2021

Item	Part No.	Name	Qty	L
640	3363105495	Connection plate	1	
641	3363034274	Allen screw	16	
642	3363113410	Hydraulic hose	1	
643	3363113411	Hydraulic hose	1	
644	3360314543	Fitting	2	
645	3360209834	Grease nipple	4	
700	3363105471	Rotary transmission	1	B

Comments for Page: Upper part

A | with item 602 - 700

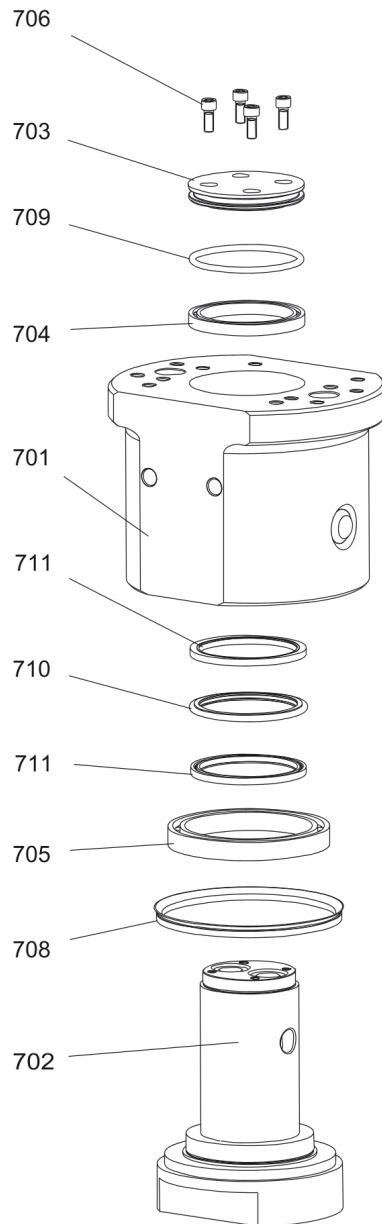
B | see separate chapter

This page intentionally left blank

Mechanical Rotary transmission

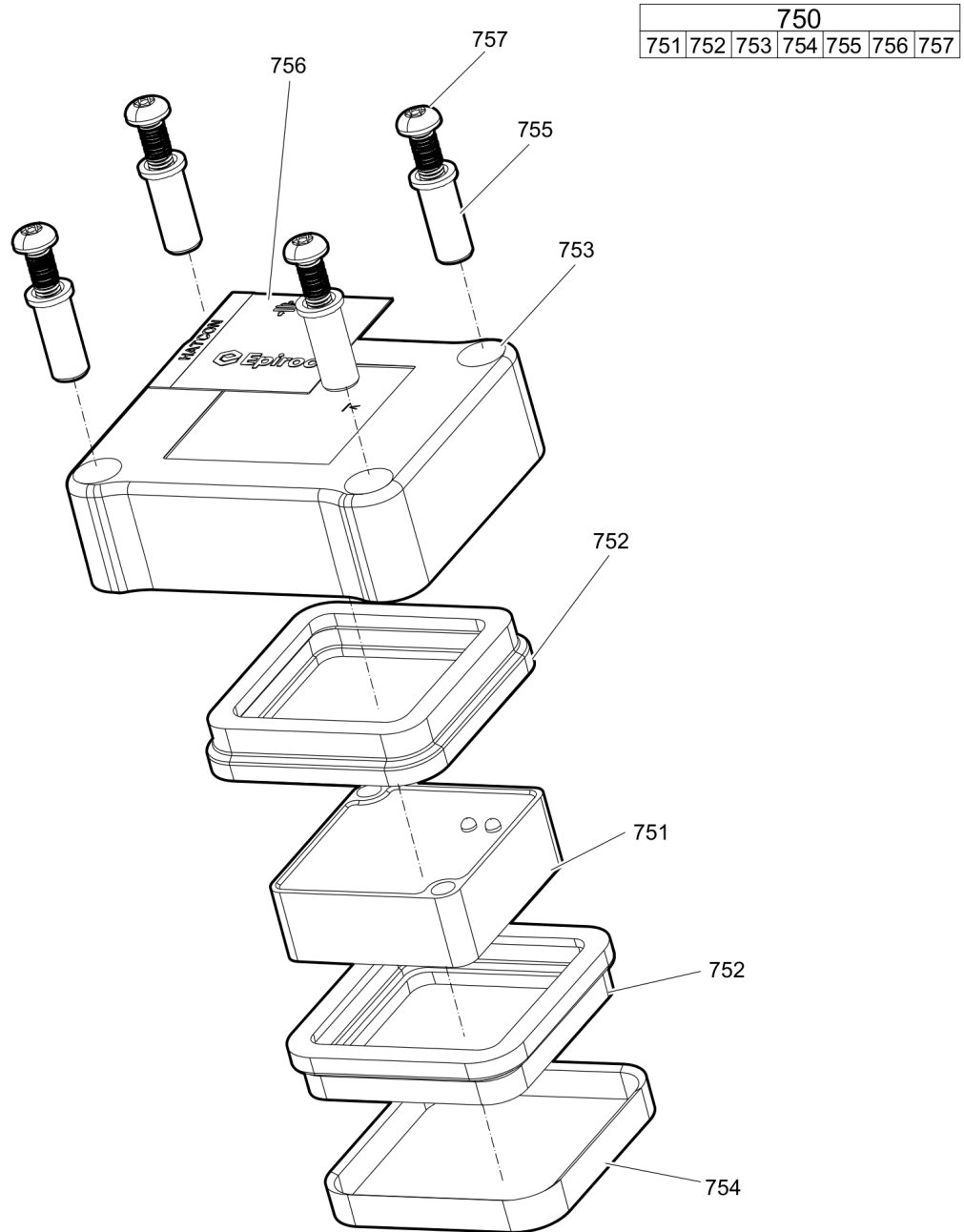
700						
701	702	703	704	705	706	707

707			
708	709	710	711



Item	Part No.	Name	Qty	L
700(701-707)	3363105471	Rotary transmission	1	
701	3363105473	Stator	1	
702	3363105477	Rotor	1	
703	3363034318	Cap	1	
704	3363034319	Ball bearing	1	
705	3363034320	Ball bearing	1	
706	3363034325	Allen screw	4	
707(708-711)	3363083066	Seal kit (Rotary transmission)	1	
708		V-ring	1	
709		O-ring	1	
710		Slide ring	1	
711		Seal	2	

Mechanical HATCON



Item	Part No.	Name	Qty	L
750(751-757)		HATCON	1	A
751		Tracking module HATCON	1	
752	3315439130	Damper HATCON	2	
753	3315439110	Housing type 1 HATCON	1	
754	3315439140	Lock ring HATCON	1	
755	3315439120	Sleeve HATCON	4	
756	3315439100	Product label HATCON	1	
757	3315442600	Screw HATCON	4	

Comments for Page: HATCON

A | part number see chapter "Optional equipment"

Mechanical Tightening torques

NO EXPLODED VIEW
AVAILABLE
FOR THIS BOM

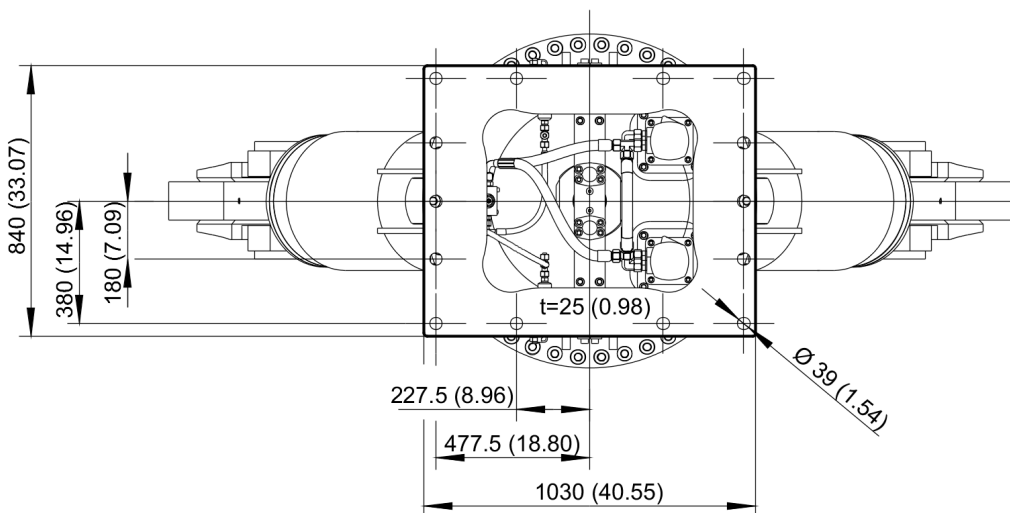
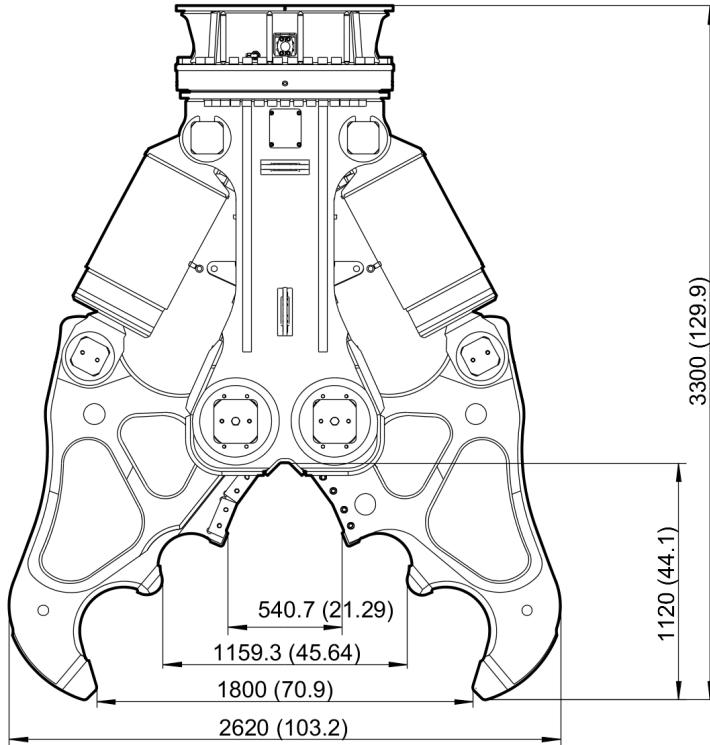
Item	Part No.	Name	Qty	L
13	-	Allen screw - 75 + 10 Nm (55 + 7 ft lbf)	-	
15	-	Allen screw - 1850 + 5 Nm (1364 + 4 ft lbf)	-	
18	-	Allen screw - 180 + 20 Nm (133 + 15 ft lbf)	-	
26	-	Allen screw - 75 + 10 Nm (55 + 7 ft lbf)	-	
28	-	Allen screw - 170 + 15 Nm (125 + 11 ft lbf)	-	
39	-	Hexagon head screw - 650 + 50 Nm (479 + 37 ft lbf)	-	
207	-	Grease nipple - 8 + 2 Nm (6 + 1 ft lbf)	-	
423	-	Allen screw - 530 + 30 Nm (391 + 22 ft lbf)	-	
429	-	Grease nipple - 8 + 2 Nm (6 + 1 ft lbf)	-	
604	-	Allen screw - 75 + 10 Nm (55 + 7 ft lbf)	-	
606	-	Allen screw - 19 + 5 Nm (14 + 4 ft lbf)	-	
610	-	Allen screw - 70 + 5 Nm (52 + 4 ft lbf)	-	A
611	-	Allen screw - 255 + 30 Nm (188 + 22 ft lbf)	-	
613	-	Fitting - 70 + 10 Nm (52 + 7 ft lbf)	-	
614	-	Threaded plug - 56 + 4 Nm (41 + 3 ft lbf)	-	
615	-	Threaded plug - 40 + 20 Nm (30 + 15 ft lbf)	-	
616	-	Fitting - 70 + 10 Nm (52 + 7 ft lbf)	-	
624	-	Fitting - 180 + 20 Nm (133 + 15 ft lbf)	-	
625	-	Allen screw - 1850 + 5 Nm (1364 + 4 ft lbf)	-	
629	-	Allen screw - 19 + 5 Nm (14 + 4 ft lbf)	-	
634	-	Allen screw - 180 + 20 Nm (133 + 15 ft lbf)	-	
639	-	Allen screw - 170 + 15 Nm (125 + 11 ft lbf)	-	
641	-	Allen screw - 170 + 15 Nm (125 + 11 ft lbf)	-	
645	-	Grease nipple - 8 + 2 Nm (6 + 1 ft lbf)	-	
706	-	Allen screw - 25 Nm (18 ft lbf)	-	
757	-	Screw HATCON - 22 Nm (16 ft lbf)	-	

Comments for Page: Tightening torques

(L)OCAL REMARKS

A | fix with Loctite 243

Mechanical Dimensions



Refer to the DocMine web page for most up-to-date information. The printed information might be outdated.

Wed Mar 31 09:53:58 UTC 2021

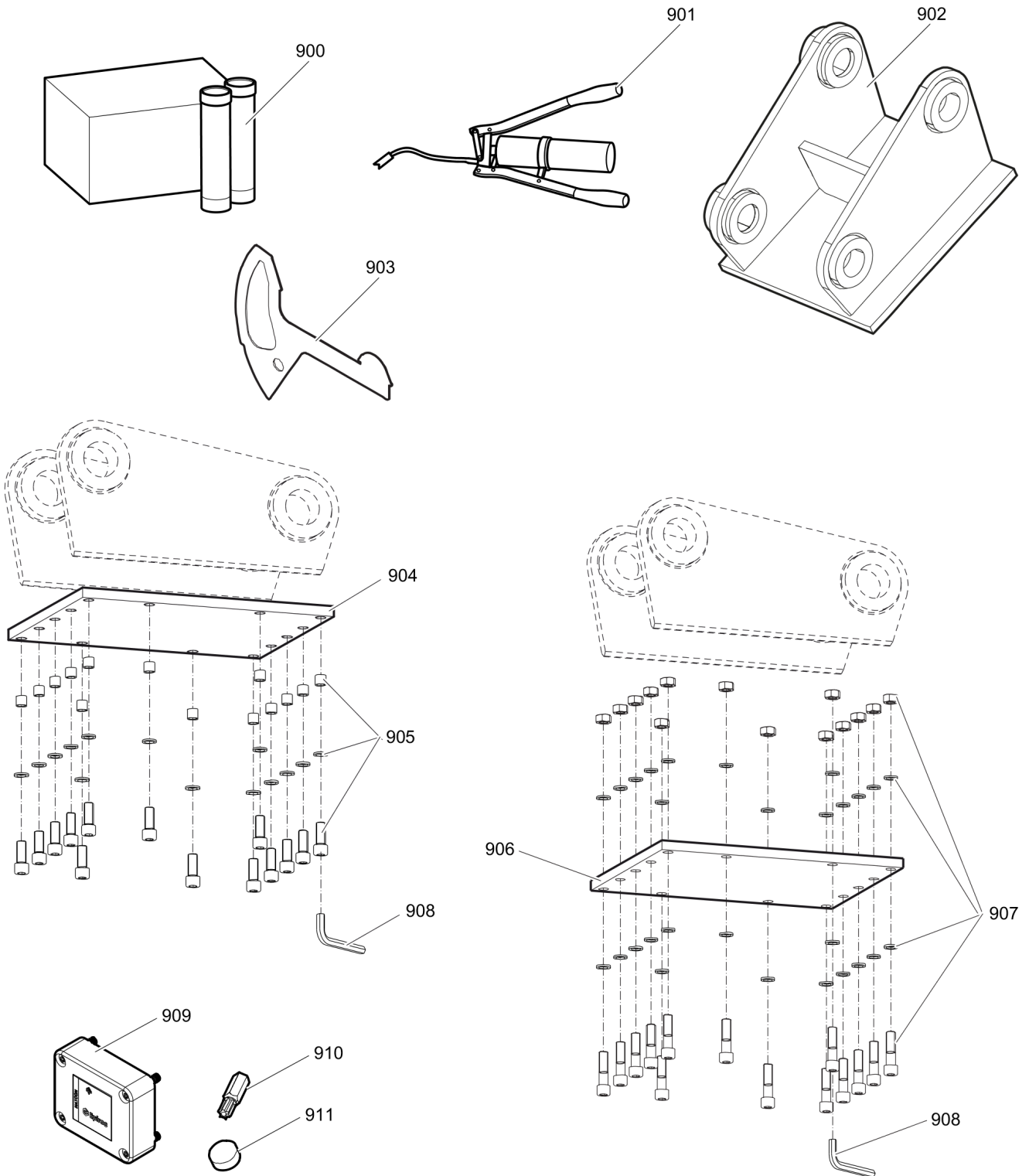
This page intentionally left blank

Options / accessories Hydraulic hoses

NO EXPLODED VIEW
AVAILABLE
FOR THIS BOM

Item	Part No.	Name	Qty	L
Not Shown	-	Open - Close		
-	3363106493	Hydraulic Hose, I.D. 32 (1.26 in.) flange SAE 90° 1 1/4 in. - 6000 PSI, , 1 5/8 in. JIC, length 2800 mm (110 in.)	2	
-	3363106494	Hydraulic Hose, I.D. 32 (1.26 in.) flange SAE 90° 1 1/4 in. - 6000 PSI, , 1 5/8 in. JIC, length 3500 mm (138 in.)	2	
Not Shown	-	Rotation		
-	3363031767	Hydraulic hose, I.D. 8 (3/8"), both ends M20 x 1.5 conical seal 24°, length 2800 mm (110 in.)	2	
-	3363034399	Hydraulic hose, I.D. 8 (3/8"), both ends M20 x 1.5 conical seal 24°, length 3500 mm (138 in.)	2	

Options / accessories Optional equipment



Refer to the DocMine web page for most up-to-date information. The printed information might be outdated.
Wed Mar 31 09:53:58 UTC 2021

Item	Part No.	Name	Qty	L
900	3363094914	Cutter grease cartridge, 12 x 400 g (0.88 lbs)	1	
901	0909107100	LUBRICAT.GUN	1	
902		Adapter plate matching the carrier. Consult the authorized Customer Center/Dealer in your area.	1	
903		Gauge	1	A
904	3363093497	Base plate with threaded inserts	1	
905	3363106593	Bolt kit	1	
906	3363102875	Base plate with through borings	1	
907	3363106592	Bolt kit	1	
908	3360478949	Allen key (27 mm)	1	
909	3315442500	Retrofit kit HATCON	1	B
910	3315439105	Security bit HATCON	1	
911	3315439106	Magnet HATCON	1	

Comments for Page: Optional equipment

A | for hard facing the teeth; consult the authorized Customer Center/Dealer in your area.

B | with item 910 and 911

Any unauthorized use or copying of the contents or any part thereof is prohibited.
This applies in particular to trademarks, model denominations, part numbers, and drawings.